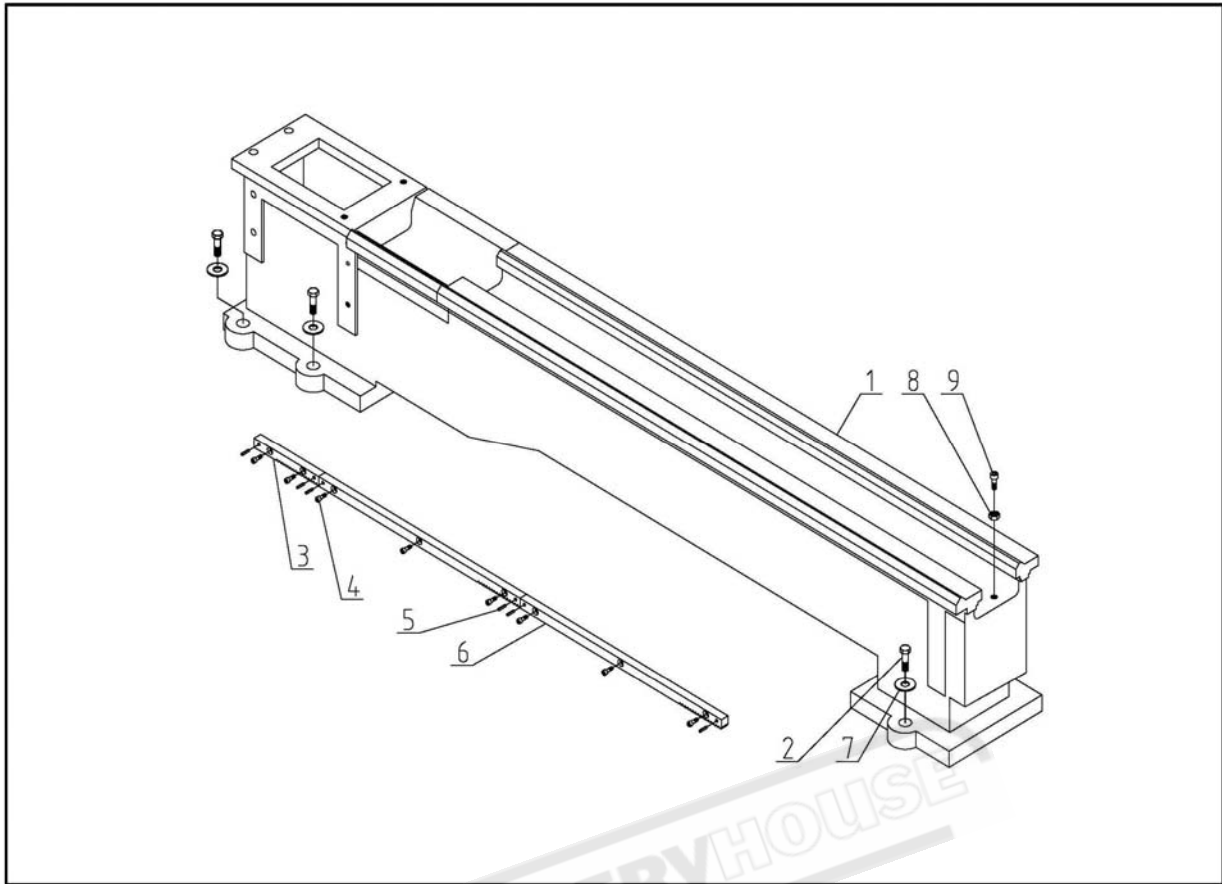
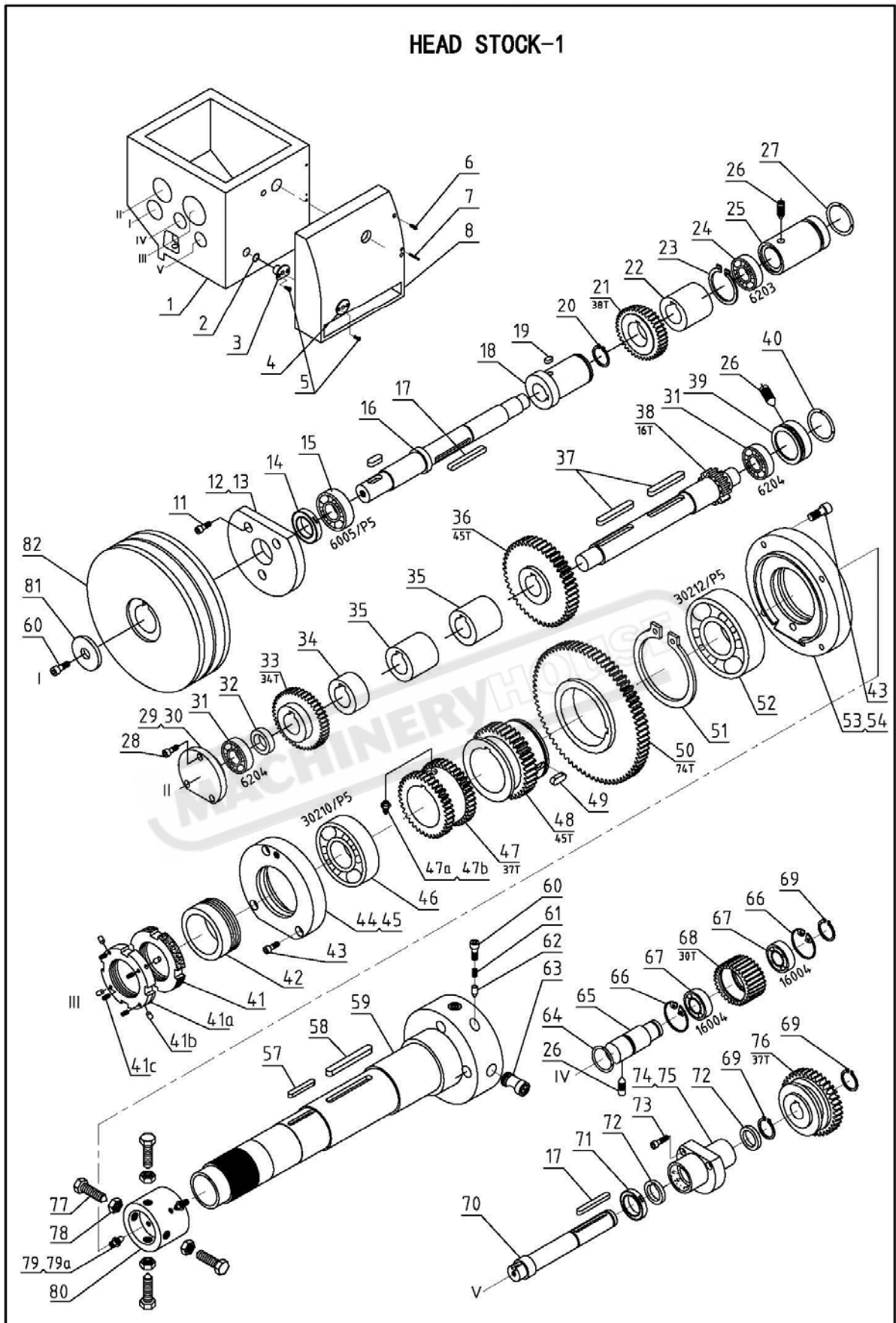


BED ASSEMBLY

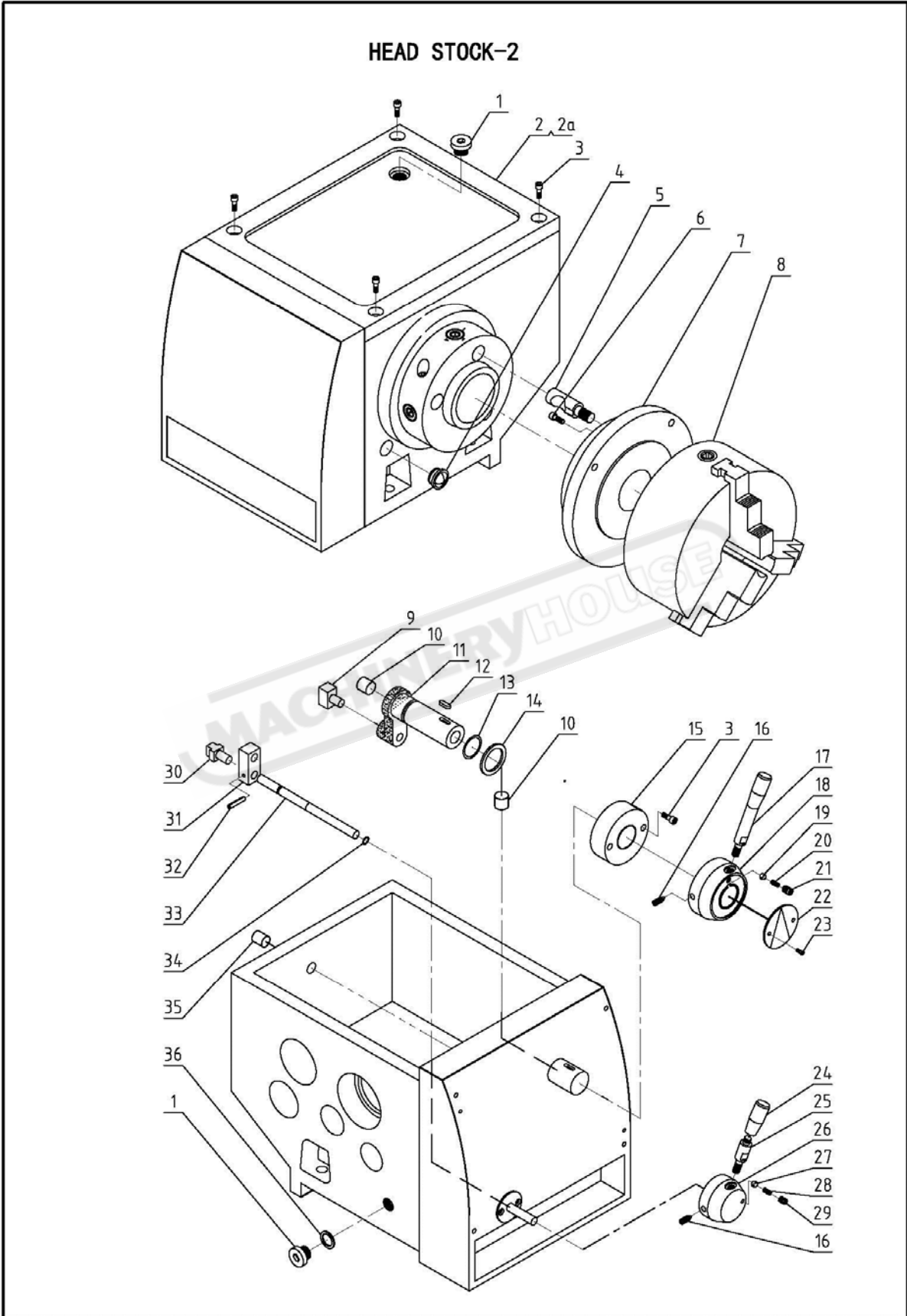
Index No	Part No	Description	Size	Qty
1	D330AV-11101	Lathe Bed		1
2	GB/T5782-M12X40	Screw	M12X40	6
3	D330A-11205	Rack Gear		1
4	GB/T70-M6X15	Hex Socket Cap Screw	M6X15	8
5	GB/T879-6X25	Pin	6X25	6
6	D330A-11204	Rack Gear		2
7	GB/T97.1-12	Washer	12	6
8	GB/T6170-M10	Nut	M10	1
9	GB/T70-M10X35	Hex Socket Cap Screw	M10X35	1



HEAD STOCK-1

Index No	Part No	Description	Size	Qty
1	D330A-21107	Head Stock		1
2	GB/T3452.1-20X2.65	Oil seal	20X2.65	1
3	D330A-21246	Sleeve		1
4	D330A-21235	Sleeve		1
5	GB/T819-M4X8	Screw	M4X8	4
6	GB/T70-M6X40	Hex Socket Cap Screw	M6X40	4
7	GB/T879-5X40	Pin	5X40	2
8	D330A-21113-2	Case frame		1
11	GB/T70-M6X20	Hex Socket Cap Screw	M6X20	3
12	D330A-21124	Cover		1
13	D330A-21601	Gasket		1
14	GB/T9877.1-25X40X7	Oil seal	25X40X7	1
15	GB/T276-6005	Bearing	6005	1
16	D330DV-21215	Shaft		1
17	GB/T1096-A6X50	Key	A6X50	2
18	D330DV-21217	Washer		1
19	GB/T1096-A6X10	Key	A6X10	1
20	GB/T894.1-22	Circlip	22	1
21	D330A-21220	Gear	38T	1
22	D330DV-21221-1	Washer		1
23	GB/T894.1-35	Circlip		1
24	GB/T276-6203	Bearing	6203	1
25	D330A-21106	Front plug		1
26	GB/T78-M8X16	Screw	M8X16	3
27	GB/T3452.1-40X3.1	Oil seal	40X3.1	1
28	GB/T70-M4X12	Hex Socket Cap Screw	M4X12	3
29	D330A-21104	Cover		1
30	D330A-21602	Gasket		1
31	GB/T276-6204	Bearing	6204	2
32	D330A-21211	Washer		1
33	D33D-21223	Gear	34T	1
34	D330DV-21221	Washer		1
35	D330D-21221	Washer		2
36	D330D-21224	Gear	45T	1
37	GB/T1096-A8X55	Key	A8X55	2
38	D330A-21212	Gear Shaft	16T	1
39	D330A-21225	Front plug		1
40	GB/T3452.1-47X3.1	Oil seal	47X3.1	1
41	D330A-21208	Nut		1
41a	D330AV-21208	Nut		1
41b		Magnet	φ 5X7	4

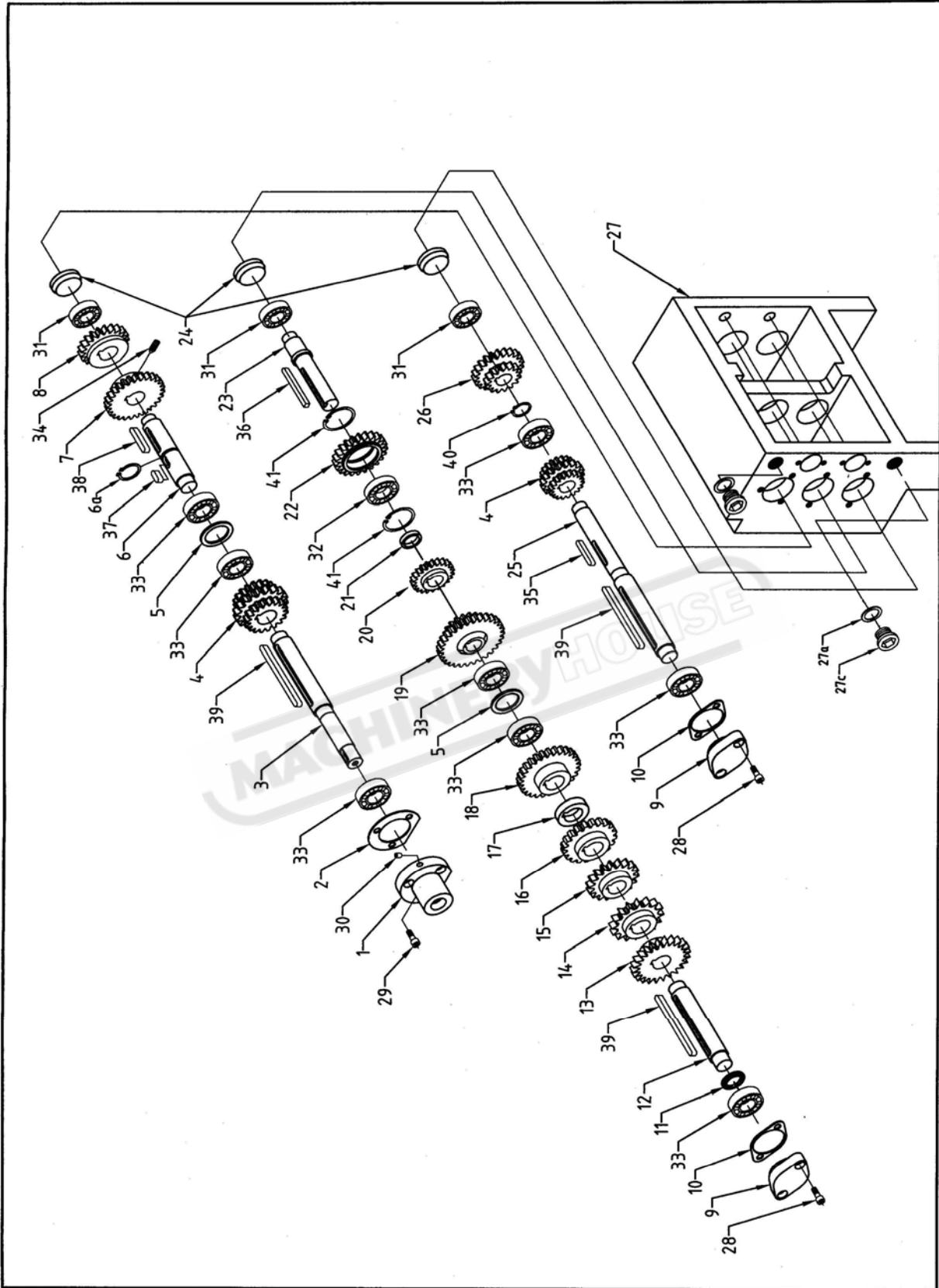
Index No	Part No	Description	Size	Qty
41c	GB77-M4X6	Screw	M4X6	4
42	D330A-21102	Collar		1
43	GB/T70-M6X25	Hex Socket Cap Screw	M6X25	7
44	D330A-21103	End cover		1
45	D330A-21603	Gasket		1
46	GB/T297-30210/P5	Bearing	30210/P5	1
47	D330A-21207A	Gear	37T	1
47a	GB/T78-M4X10	Screw	M4X10	1
47b	GB/T6170-M4	Nut	M4	1
48	D330AV-21227	Gear	45T	1
49	GB/T1096-A8X18	Key	A8X18	1
50	D330A-21226	Gear	74T	1
51	GB/T894.1-72	Circlip	72	1
52	GB/T297-30212/P5	Bearing	30212/P5	1
53	D330A-21108	Front cover		1
54	D330A-21605	Gasket		1
57	GB/T1096-A6X40	Key	A6X40	1
58	GB/T1096-A8X85	Key	A8X85	1
59	D330A-21228A	Spindle		1
60	GB/T70-M8X16	Hex Socket Cap Screw	M8X16	4
61	GB2089-4.5X16X0.8	Spring	4.5X16X0.8	3
62	D330A-21230	Pin		3
63	D330A-21231	Cam		3
64	GB/T3452.1-25X2.4	Oil seal	25X2.4	1
65	D330A-21238	Shaft		1
66	GB/T893.1-42	Circlip	42	2
67	GB/T276-16004	Bearing	16004	2
68	D330A-21237	Gear	30T	1
69	GB/T894.1-20	Circlip	20	3
70	D330A-21239	Shaft		1
71	GB/T9877.1-24X32X5	Oil seal	24X32X5	1
72	D330A-21202	Washer		2
73	GB/T70-M5X16	Hex Socket Cap Screw	M5X16	3
74	D330A-21101	Cover		1
75	D330A-21604	Gasket		1
76	D330A-21201	Gear	37T	1
77	D330A-21302	Screw		4
78	GB/T6172-M10	Gear	M10	4
79	GB/T78-M6X16	Screw	M6X16	2
79a	GB/T6170-M6	Nut	M6	2
80	D330A-21301A	Washer		1
81	GB/T96-8	Washer	8	1
82	D330A-21105	Pulley		1

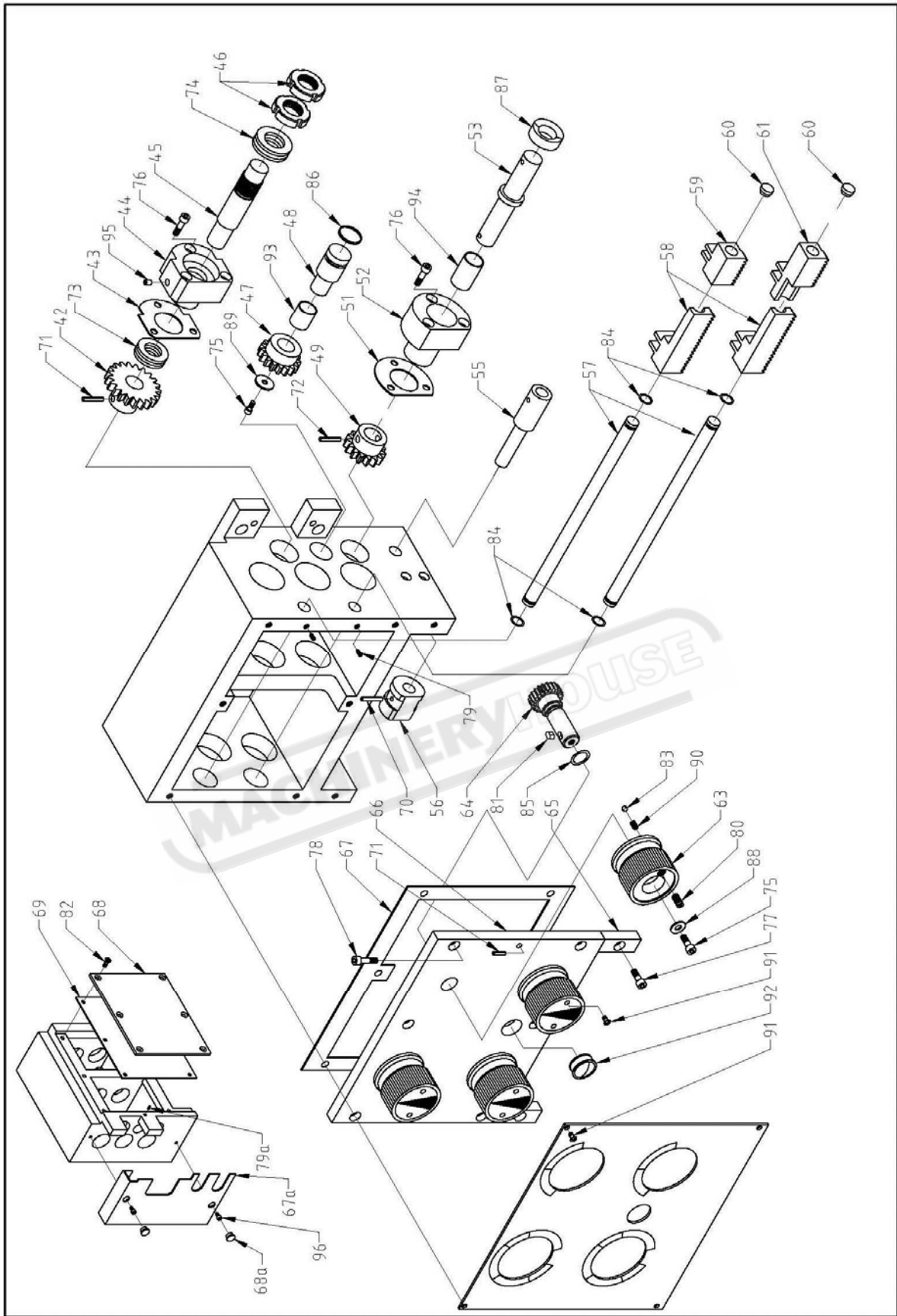


HEAD STOCK-2

Index No	Part No	Description	Size	Qty
1		Hexagonal socket head	M16X1.5	2
2	D330A-21112-1	Cover board		1
2a	D330A-21606	Gasket		1
3	GB/T70-M6X25	Hex Socket Cap Screw	M6X25	6
4	JB/T7941.2-M16X1.5	Oil sight	M16X1.5	1
5	D330A-81201	Cam lock stud		3
6	GB/T70-M6X12	Hex Socket Cap Screw	M6X12	3
7		Back Plate For 3-Jaw		1
8		Three jaw chuck		1
9	D330A-21403	Shift fork		1
10	D330DV-21233	Front plug	φ 16	2
11	D330AV-21121	Shift collar		1
12	GB/T1096-A5X14	Key	A5X14	1
13	GB/T3452.1-30X3.1	Oil seal	30X3.1	1
14	D330A-21240	Washer		1
15	D330AV-21118	Handle base		1
16	GB/T78-M6X16	Screw	M6X16	2
17	D330A-21249	Handle		1
18	D330DV-21117	Handle base		1
19	GB308-6	Ball	6	1
20	GB2089-6X26X1	Spring	6X26X1	1
21	GB/T77-M8X8	Screw	M8X8	1
22		Position sign plate		1
23	GB/T818-M4X6	Screw	M4X6	2
24	GB7271.3-M8	Cover	M8	2
25	D330A-21248	Handle		1
26	D330A-21120	Handle base		1
27	GB308-5	Ball		1
28	GB2089-6X26X1	Spring	5X25X0.8	1
29	GB/T77-M6X8	IScrew	M6X8	1
30	D330A-21402	Shift fork		1
31	D330A-21111	Rocker		1
32	GB/T879-4X18	Pin	4X18	1
33	D330A-21236-1	Shaft		1
34	GB/T3452.1-10X1.9	Oil seal	10X1.9	1
35	D330DV-21232	Front plug	φ 14	2
36		Copper washer	16	1

GEAR BOX



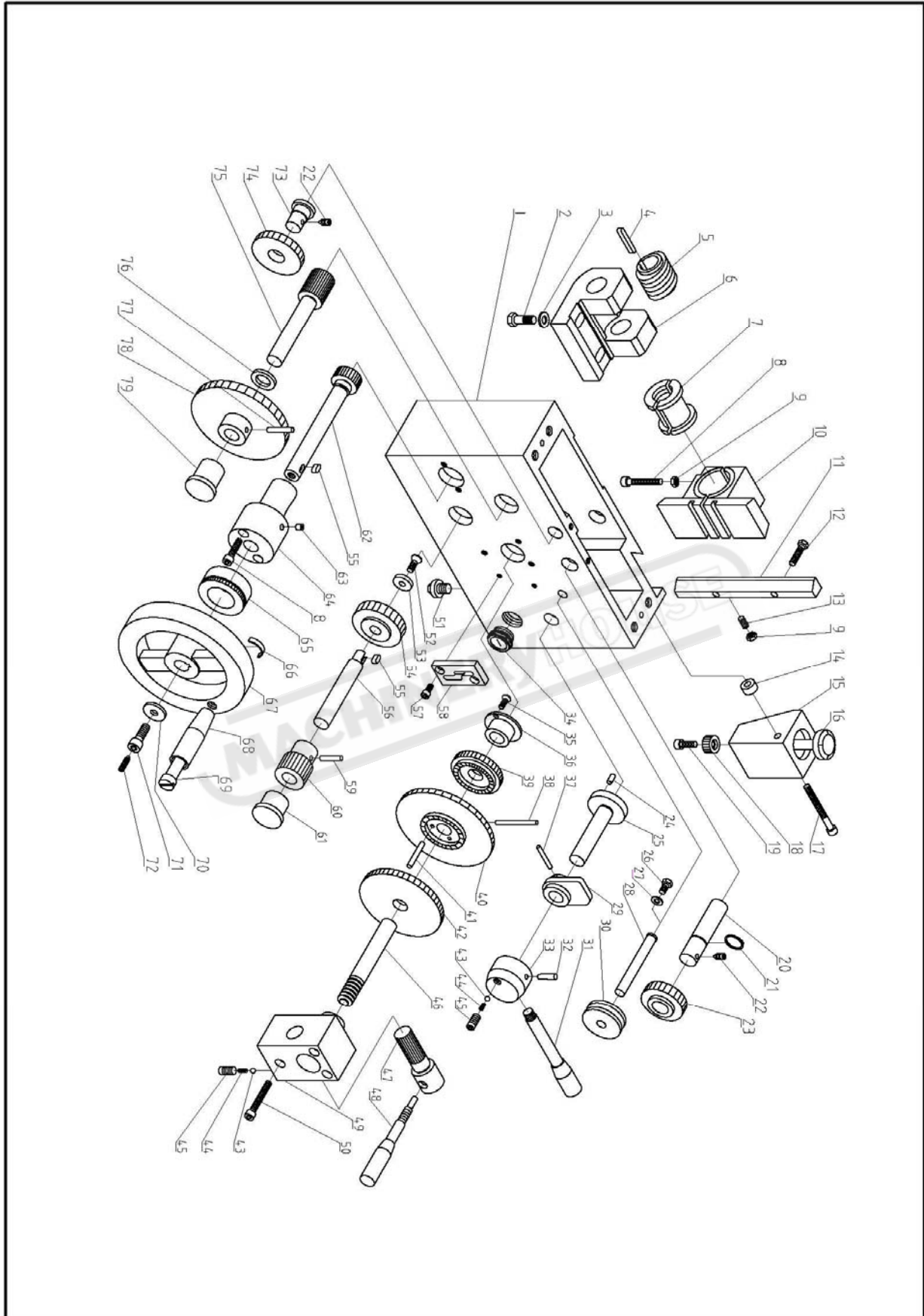


GEAR BOX

Index No.	Part No.	Description	Size	Qty.
1	D330A-3034	Cover		1
2	D330A-3035	Oil seal		1
3	D330A-3041	Shaft		1
4	D330A-3005	Gear		2
5	D330A-3066	Washer		2
6	D330A-3067	Shaft		1
6a	GB894.1-20	Circlip	20	1
7	D330A-3027	Gear		1
8	D330A-3025	Gear		2
9	D330A-3044	Cover		2
10	D330A-3046	Oil seal		2
11	D330A-3045	Washer		1
12	D330A-3033	Shaft		1
13	D330A-3029	Gear		1
14	D330A-3031	Gear		1
15	D330A-3032	Gear		1
16	D330A-3003	Gear		1
17	D330A-3030	Washer		1
18	D330A-3002	Gear		1
19	D330A-3026	Gear		1
20	D330A-3007	Gear		1
21	D330A-3008	Washer		1
22	D330A-3009	Gear		1
23	D330A-3019	Shaft		1
24	CQ6230-3017B	Cover		3
25	D330A-3004	Shaft		1
26	D330A-3006	Gear		1
27	CQ6230-3001E	Gear box		1
27a		Copper Washer	16	1
27c		Screw	M16X1.5	2
28	GB/T70-M6X12	Hex Socket Cap Screw	M6X12	4
29	GB/T70-M6X16	Hex Socket Cap Screw	M6X16	3
30	JB/T7940.4-6	Oil prot	6	1
31	GB/T276-6002	Bearing	6002	3
32	GB/T276-16003	Bearing	16003	1
33	GB/T276-6003	Bearing	6003	8
34	GB/T78-M6X8	Screw	M6X8	1
35	GB/T1096-A5X35	Key	A5X35	1
36	GB/T1096-C5X40	Key	C5X40	1
37	GB/T1096-A6X15	Key	A6X15	1
38	GB/T1096-A6X35	Key	A6X35	1
39	GB/T1096-A6X90	Key	A6X90	3
40	GB/T894.1-17	Circlip	17	1
41	GB/T893.1-35	Circlip	35	2
42	.D330A-3018	Gear		1
43	CQ6230-3068D	Oil seal		1
44	CQ6230-3084D	Cover		1
45	D330 A-3021	Shaft		1

Index No.	Part No.	Description	Size	Q t y .
46	D330A-GB812	Nut		2
47	D330A-3016	Gear		1
48	D330A-3015	Shaft		1
49	D330A-3014	Gear		1
51	CQ6230-3086D	Oil Seal		1
52	CQ6230-3022F	Cover		1
53	CQ6230-3013D	Shaft		1
55	CQ6230-3011D	Shaft		1
56	D330A-3012	Position Piec		1
57	CQ6230-3089A	Shaft		2
58	CQ6230-3049C	Gear Rack		2
59	CQ6230-3062C	Gear Rack		1
60	CQ6230-3091B	Cover		2
61	CQ6230-3050C	Gear Rack		1
63	CQ6230-3054F	Boss		4
64	CQ6230-3088	Gear		4
65	CQ6230-3061B	Washer		2
66	CQ6230-3059E	Cover		1
67	CQ6230-3087D	Oil seal		1
67a	D330A-3001A	Cover		1
68	D330A-3042	Cover		1
68a		Cover	φ 13	2
69	D330A-3070	Oil seal		1
70	GB/T879-4X28	Pin	4X28	1
71	GB/T879-5X26	Pin	5X26	2
72	GB/T879-5X28	Pin	5X28	2
73	GB/T301-51103	Bearing		1
74	GB/T301-51104	Bearing		1
75	GB/T70- M6X12	Hex Socket Cap Screw	M6X12	5
76	GB/T70- M6X25	Hex Socket Cap Screw	M6X25	6
77	GB/T70- M8X16	Hex Socket Cap Screw	M8X16	2
78	GB/T70- M8X20	Hex Socket Cap Screw	M8X20	6
79	GB/T78- M4X8	Screw	M4X8	2
79a	GB/T78- M5X8	Screw	M5X8	1
80	GB/T77- M8X6...	Screw	M8X6	4
81	GB/T1096-A5X8	Key	A5X8	4
82	GB/T819-M6X10	Screw	M6X10	6
83	GB308-89-6	Ball	6	4
84	GB/T3452.1-12X1.8	Oil seal	12X1.8	4
85	GB/T3452.1-16X2.4	Oil seal	16X2.4	4
86	GB/T3452.1-22X2.4	Oil seal	22X2.4	1
87	GB/T9877.1-18X30X10	Oil seal	18X30X10	1
88	GB/T97.1-6	Washer	6	4
89	GB/T96-6	Washer	6	1
90	GB2089-6X18X0.8	Spring	6X18X0.8	4
91	GB/T818-M4X6	Screw	M4X6	12
92		Oil seal	M22X1.5	1
93		Copper Washer	16X18X20	1
94		Copper Washer	17X19X30	1
95	JB/T7940.4-6	Oil port	6	1
96	GB/T70-M5X8	Hex Socket Cap Screw	M5X8	2

APRON

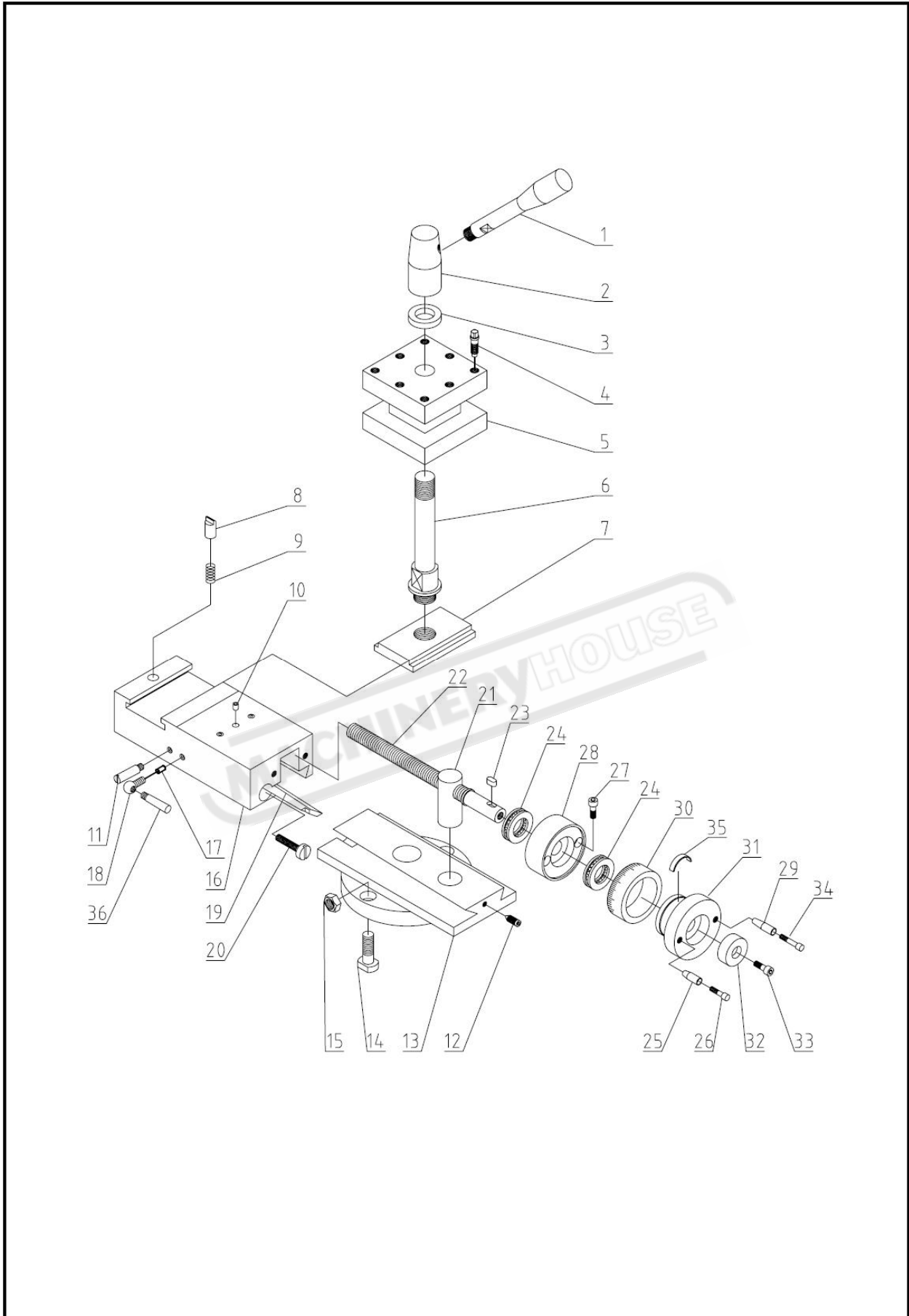


APRON

Index No	Part No	Description	Size	Qty
1	CQ6230-4001	Apron Casting		1
2	GB/T5782-M8X30	Cap Screw	M8X30	2
3	GB/T97.1-8	Washer	8	2
4	GB/T1096-5X36	Key	5X36	1
5	CQ6230-4008	Worm		1
6	CQ6230-4009	Bracket		1
7	CQ6230-4003	Half Nut Half Nut		1
8	GB/T70-M6X40	Cap Screw	M6X40	3
9	GB/T6175-M6	Nut	M6	3
10	CQ6230-4002	Bracket		1
11	CQ6230-4022	Gib		1
12	GB/T5782-M6X25	Cap Screw	M6X25	2
13	GB/T77-M6X15	Screw	M6X15	2
14	CQ6230-4007	Washer		1
15	CQ6230-4005	Bracket		1
16	CQ6230-4006	Shaft		1
17	GB/T70-M6X60	Cap Screw	M6X60	1
18	CQ6230-4004	Gear		1
19	GB/T70-M6X15	Cap Screw	M6X15	1
20	CQ6230-4046	Shaft		1
21	GB/T894.1-18	Circlip	18	1
22	GB/T78-M6X6	Screw	M6X6	2
23	CQ6230-4035	Gear		1
24	GB/T119-5X10	Pin	5X10	2
25	CQ6230-4023	Shaft		1
26	GB/T5782-M6X10	Cap Screw	M6X10	1
27	GB/T97.1-6	Washer	6	1
28	CQ6230-4024	Shaft		1
29	CQ6230-4021	Locating Block		1
30	CQ6230-4025	Fork		1
31	CQ6230-4044	Lever		1
32	GB/T117-5X40	Taper Pin	5X40	1
33	CQ6230-4045	Lever Hand		1
34	JB/T7941.2-M22X1.5	Oil seal	M22X1.5	1
35	GB/T65-M5X12	Screw	M5X12	2
36	CQ6230-4016	Washer		1
37	GB/T879-4X30	Pin	4X30	1
38	GB/T879-4X50	Pin	4X50	1
39	CQ6230-4014	Gear		1
40	CQ6230-4013	Gear		1

Index No	Part No	Description	Size	Qty
41	GB/T119-5X33	Pin	5X33	3
42	CQ6230-4013	Gear		1
43	GB308---6	Steel Ball	6	2
44	CQ6123-14-01	Sping		2
45	GB/T77-M8X8	Screw	M8X8	2
46	CQ6230-4015	Shaft		1
47	CQ6230-4042	Gear		1
48	CQ6230-4041	Lever		1
49	CQ6230-4039	Bracket		1
50	GB/T70-M6X45	Cap Screw	M6X45	3
51		Bolt	M10X1	1
52	GB/T819-M6X12	Screw	M6X12	1
53	CQ6230-4048	Washer		1
54	CQ6230-4017	Gear		1
55	GB/T1096-5X10	Key	5X10	2
56	CQ6230-4018	Shaft		1
57	GB/T70-M5X10	Cap Screw	M5X10	2
58	CQ6230-4043	Locating Block Shaft		1
59	GB/T879-5X25	Pin	5X25	1
60	CQ6230-4019	Gear		1
61	CQ6230-4020	Washer		1
62	CQ6230-4030	Shaft		1
63	GB/T7940.4—6	Oil Port	6	1
64	CQ6230-4031	Bracket		1
65	CQ6230-4036	Graduated Dial		1
66	CQ6230-4037	Cursor		1
67	CQ6230-4034	Hand Wheel		1
68	CQ6230-4032	Handle		1
69	CQ6230-4033	Handle screw		1
70	CQ6230-4038A	Washer		1
71	CQ6230-4047	Screw		1
72	GB/T79-5X30	Screw	5X30	1
73	CQ6230-4011	Shaft		1
74	CQ6230-4010	Gear		1
75	CQ6230-4028	Shaft		1
76	CQ6230-4027	Washer		1
77	GB/T879-5X30	Pin	5X30	1
78	CQ6230-4029	Gear		1
79	CQ6230-4026	Washer		1

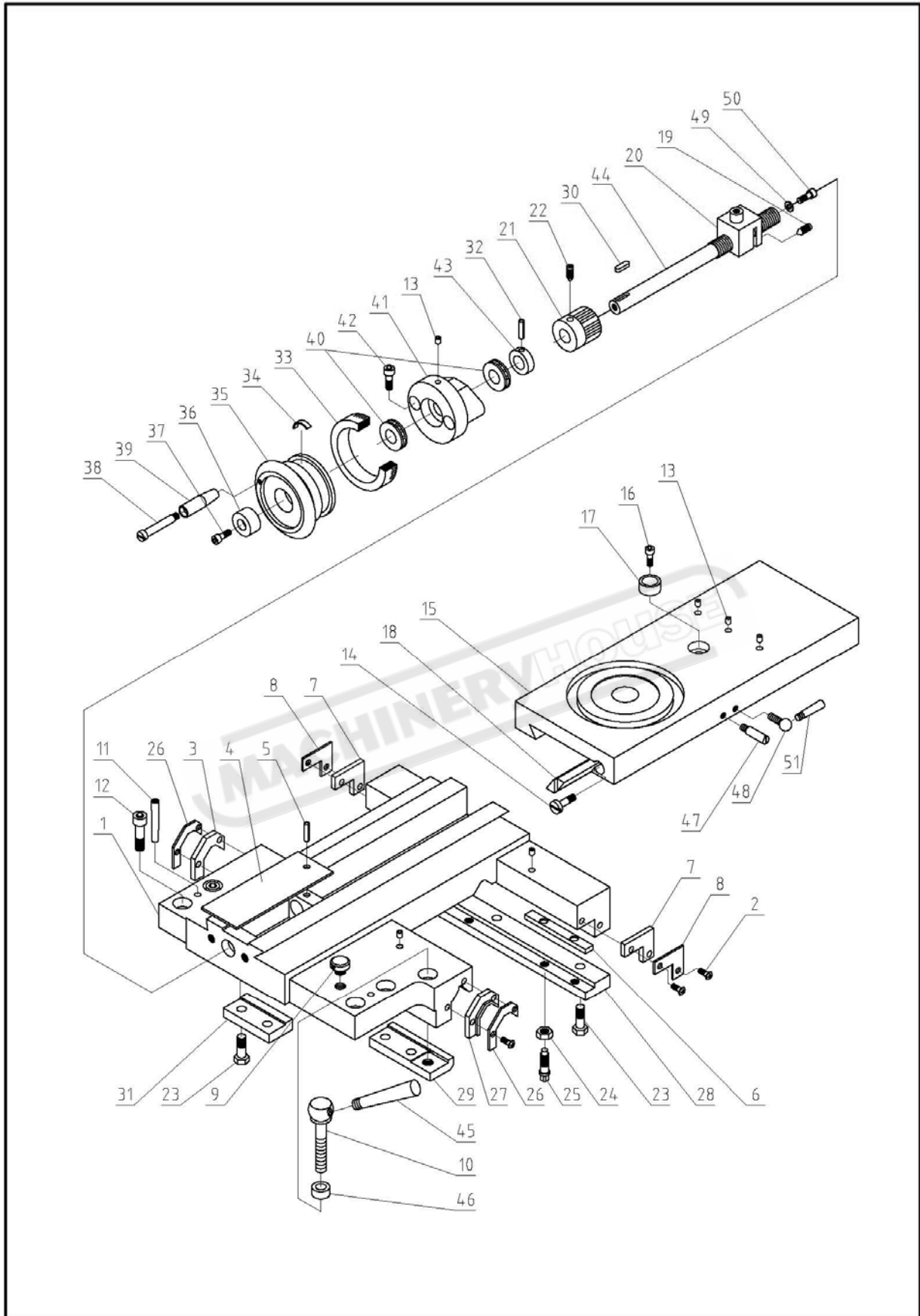
COMPOUND REST



COMPOUND REST

Index No	Part No	Description	Size	Qty
1	CQ6230-5010	Handle		1
2	CQ6230-5009	Boss		1
3	CQ6230-5008	Collar		1
4	GB/T83-M10×45	Screw	M10×45	8
5	CQ6230-5005	Tool Post		1
6	CQ6230-5006	Shaft		1
7	CQ6230-5003	Nut		1
8	CQ6230-5004	Pin		1
9	GB2089-1.2×6×8	Spring	1.2×6×8	1
10	JB/T7940.4-6	Oil cup	6	3
11	D330A-S2003	Shaft		1
12	GB/T78-M6×16	Screw	M6×16	1
13	CQ6230-5001	Compound		1
14	D330A-51203	"T" Screw		2
15	GB/T6175-M10	Nut	M10	2
16	CQ6230-5002	Compound		1
17	CQ6230-5024	Pin		1
18	D330A-S2001	Screw		1
19	CQ6230-5023	Gib		1
20	CQ6230-5021	Screw		2
21	CQ6230-5012	Nut		1
22	CQ6230-5011	Guide Screw		1
23	GB/T1096-A4×8	Key	A4×8	1
24	GB/T301-51101	Bearing		2
25		Collar		1
26		Bolt		1
27	GB/T70-M6×25	Hex Socket Cap Screw	M6×25	2
28	CQ6230-5013	Bracket		1
29		Collar		1
30	CQ6230-5014	Index Ring		1
31		Hand Wheel		1
32		Washer		1
33	GB/T70-M6×12	Hex Socket Cap Screw	M6×12	1
34		Bolt		1
35	CQ6230-4037	Leaf spring		1
36	D330A-S2002	Bolt		1

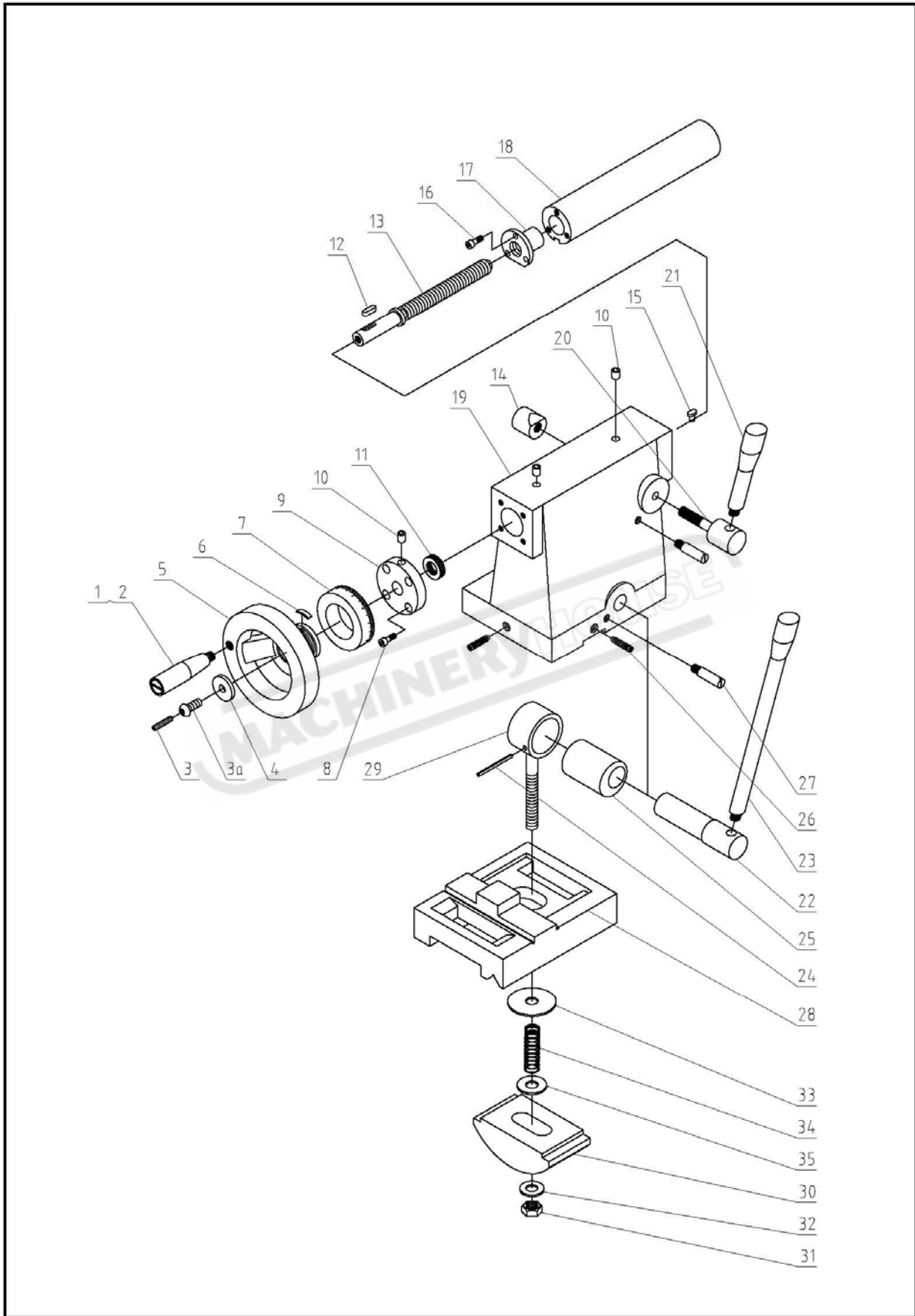
SADDLE



SADDLE

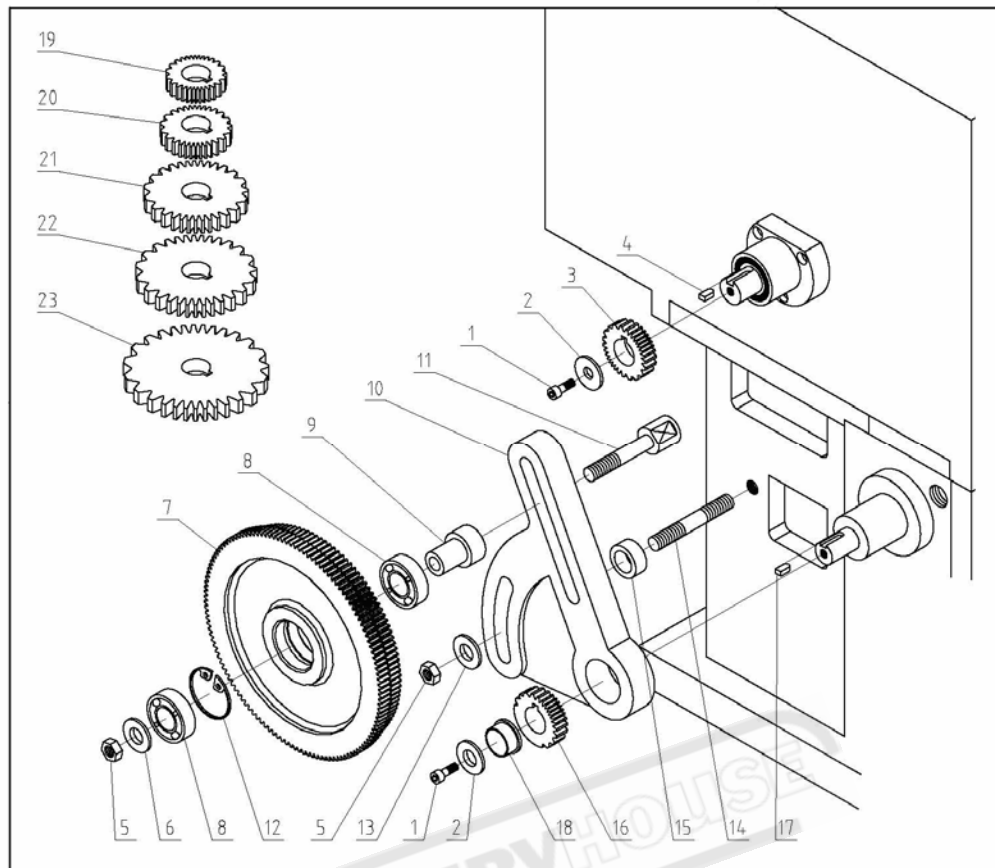
Index No	Part No	Description	Size	Qty
1	D330A-51101	Saddle		1
2	GB818-M5X12	Screw	M5X12	8
3	D330A-51301	Wipper		1
4	D330A-51211	Cover		1
5	GB/T879-3X10	Pin	3X10	1
6	D330A-51216	Press plate		2
7	D330A-51303	Press plate		2
8	D330A-51204	Wipper		2
9	D330A-51215	Screw		1
10	D330A-S1001	Screw		1
11	GB/T118-6X45	Taper Pin	6X45	2
12	GB/T70-M10×30	Hex Socket Cap Screw	M10×30	4
13	JB/T7940.4-6	Oil cup	6	6
14	D330A-51214	Screw		2
15	D330A-51102	Tool post		1
16	GB/T70-M6×12	Hex Socket Cap Screw	M6×12	1
17	D330A-51201	Bushing		1
18	D330A-51212	Gib		1
19	GB/T78-M4×12	Screw	M4×12	2
20	D330A-51401	Nut		1
21	D330A-51202	Gear		1
22	GB/T78-M6×8	Screw	M6×8	1
23	GB/T5782-M8×25	Screw	M8×25	7
24	GB/T6175-M8	Nut	M8	4
25	GB/T83-M8×25	Screw	M8×25	4
26	D330A-51205	Press plate		2
27	D330A-51302	Wipper		1
28	D330A-51104	Press Plate		1
29	D330A-51105	Press Plate		1
30	GB/T1096-5×20	Key	5×20	1
31	D330A-51103	Press Plate		1
32	GB/T879-4X25	Pin	4X25	1
33	D330A-51208	Index Ring		1
34	CQ6230-4037	Leaf spring		1
35	D330A-51207	Hand wheel		1
36	D330A-51207-1	Washer		1
37	GB/T70-M6×16	Hex Socket Cap Screw	M6×16	1
38	JD10-06027A	Handle screw		1
39	JD10-06027	Handle		1
40	GB/T301-51102	Bearing	51102	2
41	D330A-51106	Bracket		1
42	GB/T70-M8×30	Hex Socket Cap Screw	M8×30	2
43	D330A-51210	Washer		1
44	D330A-51206	Guide Screw		1
45	D330A-S1002	Handle		1
46	D330A-S1003	Lock Handle		1
47	D330A-S2003	Screw		1
48	D330A-S2001	Screw		1
49	GB/T97.1-5	Washer	5	1
50	GB/T70-M5×12	Hex Socket Cap Screw	M5×12	1
51	D330A-S2002	Handle		1

TAILSTOCK



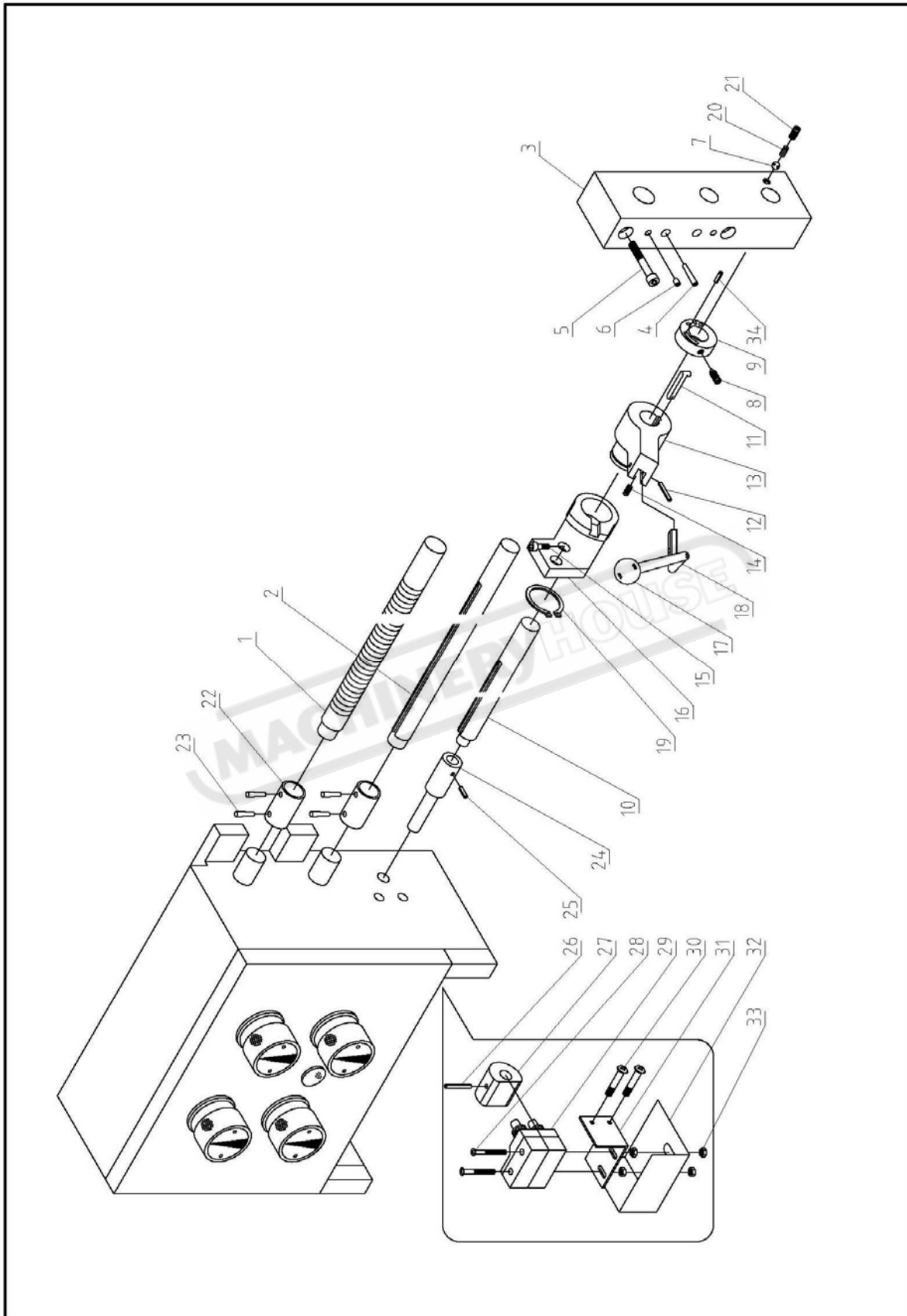
TAILSTOCK

Index No	Part No	Description	Size	Qty
1	CQ6230-4033	Handle		1
2	CQ6230-4032	Lever		1
3	GB/T77-M5X25	Screw	M5X25	1
3a	D330A-6044	Adjusting screw		1
4	D330A-6045	Washer		1
5	D330A-6005	Hand Wheel		1
6	CQ6230-4037	Leaf Spring		1
7	D330A-6010	Index Ring		1
8	GB/T70-M6X16	Hex Socket Cap Screw	M6X16	4
9	D330A-6011	Bracket		1
10	JB/T7940.4-8	Oil Cup	8	3
11	GB/T301-51102	Bearing		1
12	GB/T1096-A4X15	Key	A4X15	1
13	D330A-6006	Guide Screw		1
14	D330A-6023	Lock Nut		1
15	D330A-6015	Key		1
16	GB/T70-M4×12	Hex Socket Cap Screw	M4×12	3
17	D330A-6012	Nut		1
18	D330A-6013	Quill		1
19	D330A-6001	Tail stock		1
20	D330A-6022	Lock screw		1
21	D330A-6021	Handle		1
22	D330A-6017	Shaft		1
23	D330A-6004	Handle		1
24	GB/T119-5×30	Pin	5×30	1
25	D330A-6018	Collar		1
26	GB/T79-M10×50	Screw	M10×50	3
27	D330A-6003	Screw		2
28	D330A-6002	Base		1
29	D330A-6019	Shaft		1
30	D330A-6020	Base Shoe Black		1
31	GB/T6175-M12	Nut	M12	1
32	GB/T97.1-12	Washer		1
33	D330A-6042	Washer		1
34	D330A-6041	Spring		1
35	D330A-6043	Washer		1

CHANGE GEAR

Index No.	Part No.	Description	Size	Q t y .
1	GB/T70-M6X12	Hex Socket Cap Screw	M6X12	2
2	GB/T96-6	Washer	6	2
3	D330A-91202	Gear	24T	1
4	GB/T1096-A5X8	Key	A5X8	1
5	GB/T6175-M10	Nut	M10	2
6	GB/T97.1-10	Washer	10	1
7	D330A-91208	Gear	120/127T	1
8	GB/T276-6003	Bearing		2
9	D330A-91209	Collar		1
10	D330A-91101	Quadrant		1
11	D330A-91210	Screw		1
12	GB/T893.1-35	Circlip	35	1
13	GB/T97.1-10	Washer	10	1
14	GB/T901-M10X60	Screw	M10X60	1
15	D330A-91212	Washer		1
16	D330A-91206	Gear	48T	1
17	GB/T1096-A5X8	Key	A5X8	1
18	D330A-91213-1	Washer		1
19	D330A-91201	Change gear	22T	1
20	D330A-91203	Change gear	26T	1
21	D330A-91204	Change gear	38T	1
22	D330A-91205	Change gear	44T	1
23	D330A-91207	Change gear	52T	1

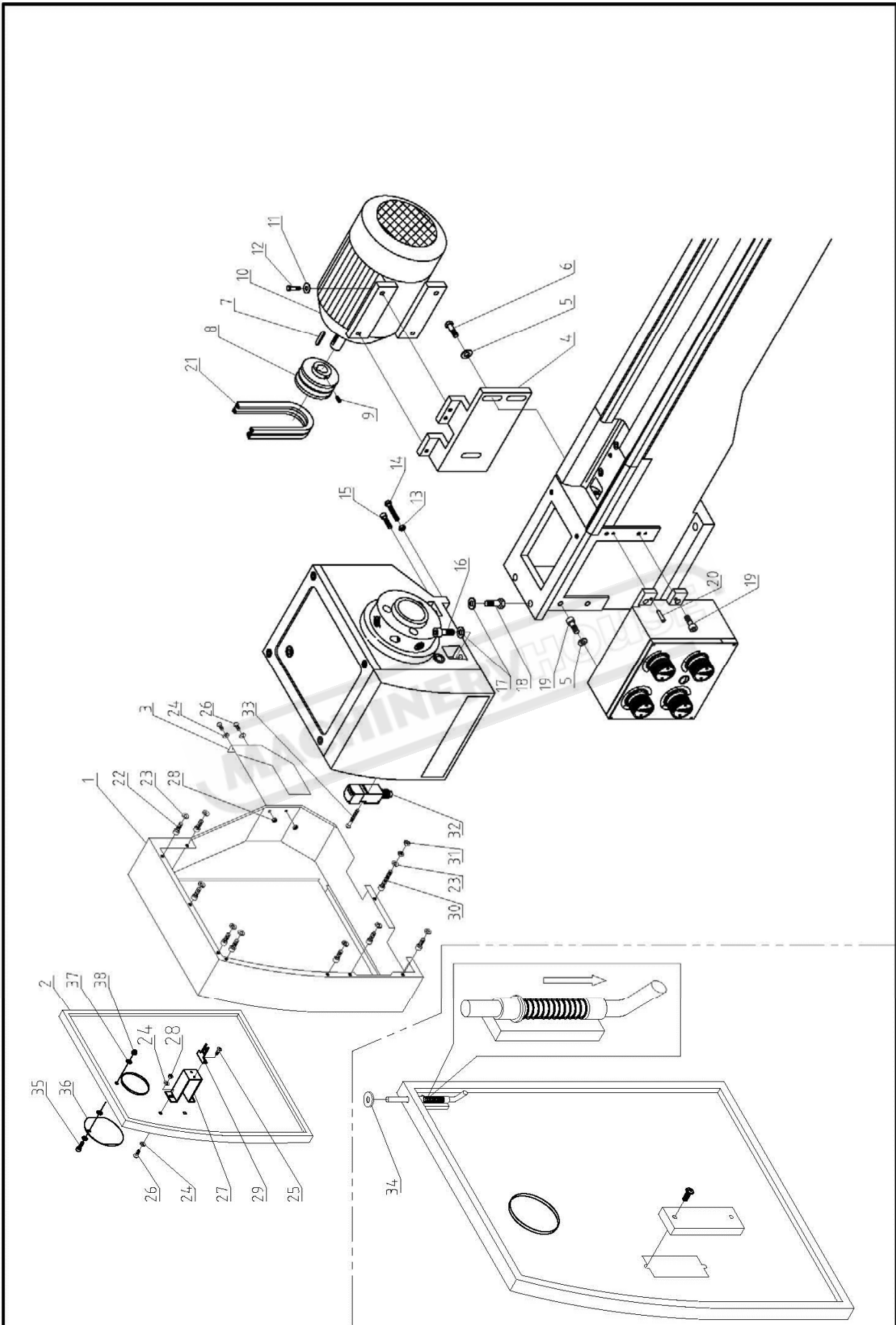
CONTROL SWITCH ASSEMBLY



CONTROL SWITCH ASSEMBLY

Index No	Part No	Description	Size	Qty
1	D330A-11201	Guide Screw		1
2	D330A-11202	Rod		1
3	D330A-11102	Bracket		1
4	GB/T118-6X45	Taper Pin	6X45	2
5	GB/T70-M8X60	Hex Socket Cap Screw	M8X60	2
6	JB/T7940.4-6	Oil cup	6	2
7	GB308---6	Ball	6	1
8	GB/T78-M6×10	Screw	M6×10	1
9	D330A-11209-1	Bushing		1
10	D330A-11203	Feed Rod		1
11	D330A-11104-1	Key		1
12	GB/T879-4X25	Pin	4X25	1
13	D330A-11104	Bracket		1
14	GB2089-10X1X12	Spring	10X1X12	1
15	GB/T70-M6X12	Hex Socket Cap Screw	M6X12	2
16	D330A-11105	Bracket		1
17	JB/T7271.1-M10X32	Handle ball	M10X32	1
18	D330A-11206	Handle		1
19	GB/T894.1-32	Circlip	32	1
20	GB2089-1×5×30	Spring	1×5×30	1
21	GB/T77-M8X8	Screw	M8X8	1
22	D330A-11207	Washer		2
23	GB/T879-4X24	Pin	4X24	4
24	CQ6230-3011D	Shaft		1
25	GB/T879-4X20	Pin	4X20	1
26	GB/T879-4X30	Pin	4X30	1
27	D330A-3012	Position Piec		1
28	GB818-M4X50	Screw	M4X50	2
29		Switch	LXW5-11M	2
30	GB818-M4X20	Screw	M4X20	2
31	D330A-71207	Bracket		1
32	D330A-71207-1	Cover		1
33	GB/T6175-M4	Nut	M4	4
34	GB/T879-4X12	Pin	4X12	1

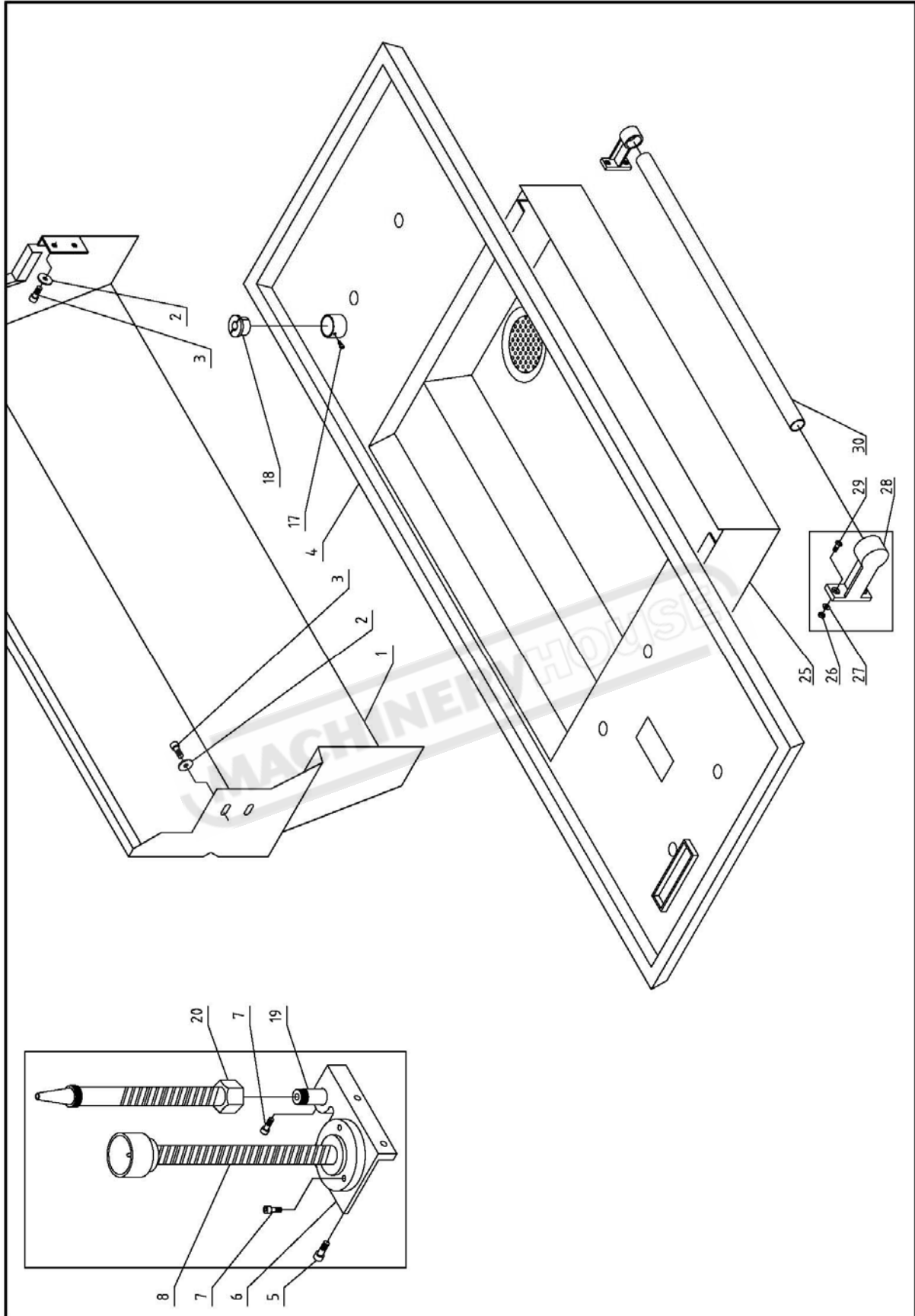
BED AND DRIVE ASSEMBLY

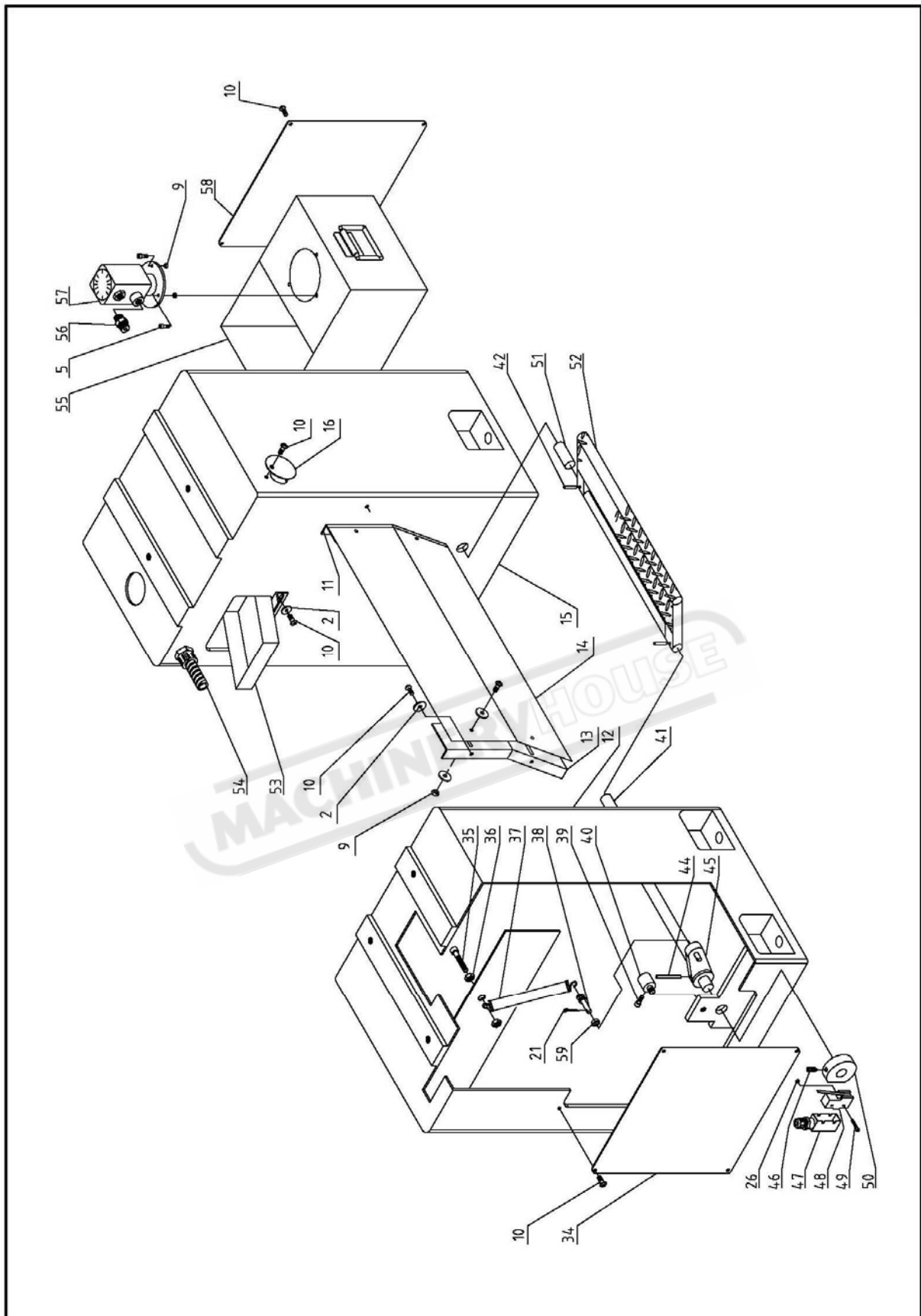


BED AND DRIVE ASSEMBLY

Index No	Part No	Description	Size	Qty
1	D330A-13401A-1	Cover		1
2	D330A-13402A-1	Cover		1
3	D330A-14220	Cover		1
4	D330A-11107	Trestle		1
5	GB/T97.1-10	Washer	10	5
6	GB/T5782-M10X30	Screw	M10X30	3
7	GB/T1096-8X35	Key	8X35	1
8	D330A-11106	Pulley		1
9	GB/T78-M6X8	Screw	M6X8	1
10		Motor		1
11	GB/T97.1-8	Washer	8	4
12	GB/T5782-M8X25	Screw	M8X25	4
13	GB/T6175-M8	Nut	M8	2
14	GB/T5782-M8X45	Screw	M8X45	2
15	GB/T70-M8X30	Hex Socket Cap Screw	M8X30	2
16	GB/T70-M12X35	Hex Socket Cap Screw	M12X35	2
17	GB/T97.1-12	Washer	12	4
18	GB/T5782-M12X30	Screw	M12X30	2
19	GB/T70-M10X30	Hex Socket Cap Screw	M10X30	4
20	GB/T117-6X30	Taper Pin	6X30	2
21		V-Belt	AV13-895	2
22	GB/T70-M5X8	Hex Socket Cap Screw	M5X8	8
23	GB/T97.1-5	Washer	5	9
24	GB/T97.1-4	Washer	4	6
25	GB818-M4X6	Screw	M4X6	2
26	GB818-M4X10	Screw	M4X10	4
27	D330A-71209	Bracket		1
28	GB/T6175-M4	Nut	M4	4
29		Switch-1	QKS8	1
30	GB/T70-M5X30	Hex Socket Cap Screw	M5X30	1
31	GB/T6175-M5	Nut	M5	2
32		Switch-2	QKS8	1
33	GB818-M4X30	Screw	M4X30	2
34		Washer		2
35	GB/T70-M6X12	Hex Socket Cap Screw	M6X12	1
36	D330D-14208B-1	Cover		1
37	GB/T97.1-6	Washer	6	3
38		Nut	M6	1

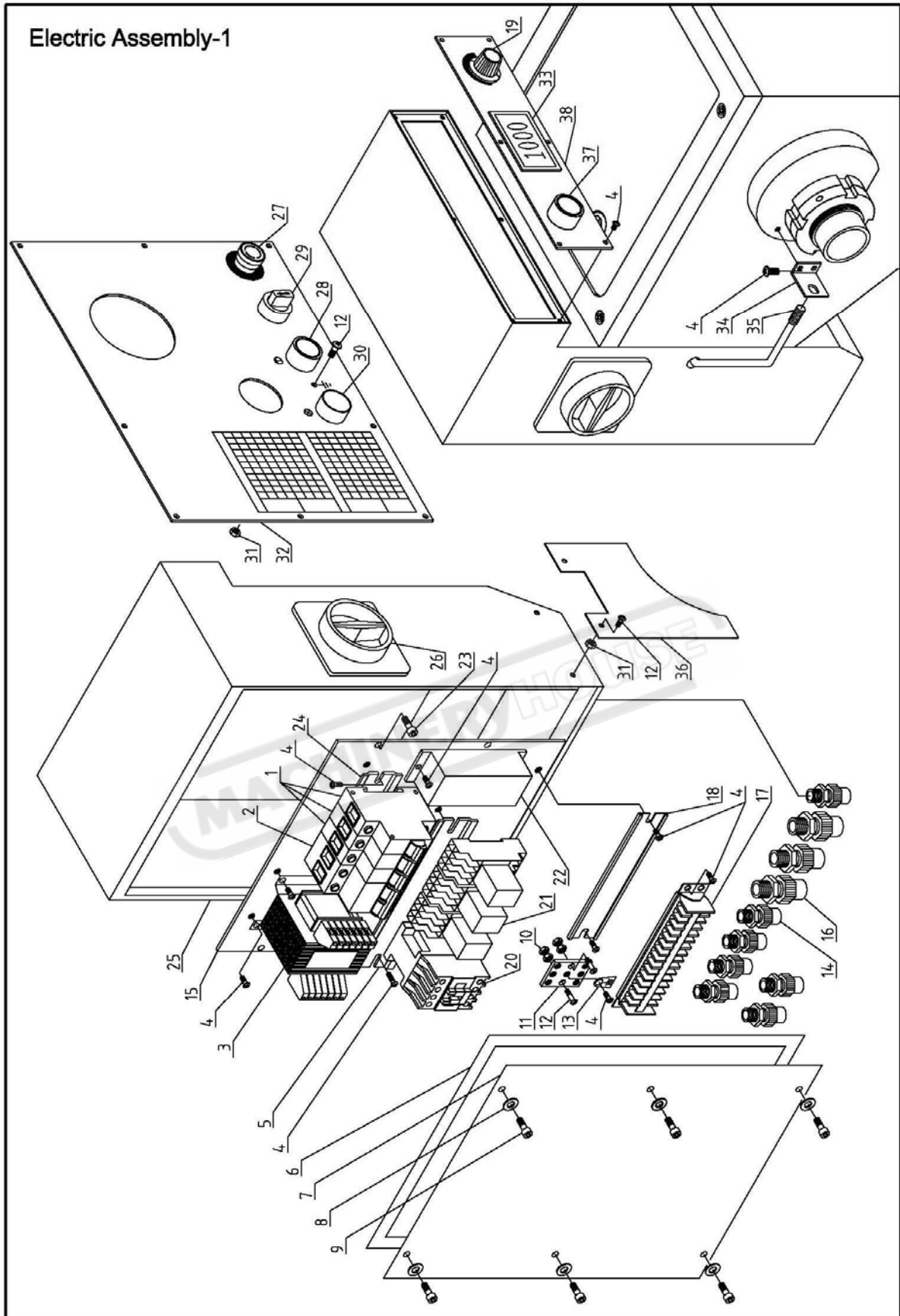
STAND/ COOLANT PUMP/LAMP





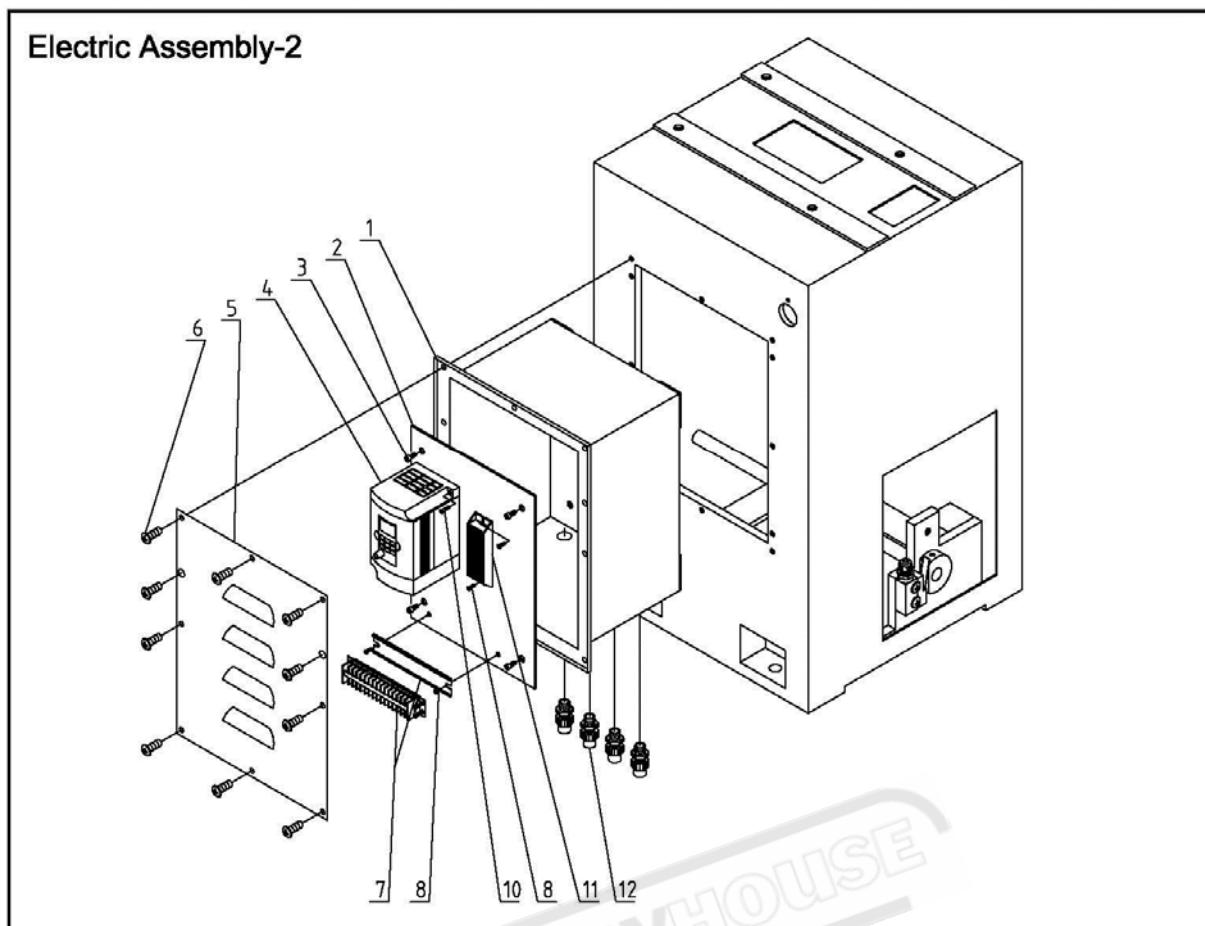
STAND/ COOLANT PUMP/LAMP

Index No	Part No	Description	Size	Qty
1	D330A-14205A-1	Chip guard		1
2	GB/T97.1-6	Washer	6	18
3	GB/T70-M6X10	Hex Socket Cap Screw	M6X10	4
4	D330A-14203A-1	Oil pan		1
5	GB/T70-M6X20	Hex Socket Cap Screw	M6X20	6
6	D330A-71206-4	Bracket		1
7	GB/T70-M5X15	Hex Socket Cap Screw	M5X15	5
8		Working lamp		1
9	GB/T6175-M6	Nut	M6	8
10	GB/T818-M6X10	Screw	M6X10	22
11	D330B-14206-1	Right bracket		1
12	D330AV-14201A	Left cabinet		1
13	D330B-14206	Left bracket		1
14	D330A-14207-1	Back plate		1
15	D330A-14202A	Right cabinet		1
16	D330D-14208B	Cover		4
17	GB/T70-M4X6	Hex Socket Cap Screw	M4X6	1
18	D330A-92206	Bracket		1
19	D330A-92202	Collar		1
20		Liquid nozzle		1
21		Pin	3X16	1
25	D330A-14204A-1	Oil pan		1
26	GB/T6175-M4	Nut	M4	6
27	GB/T97.1-4	Washer	4	4
28		Bracket		2
29	GB/T818-M4X10	Screw	M4X10	4
30		Shaft		1
34	D330A-14209A	Cover		1
35	GB/T70-M10X30	Hex Socket Cap Screw	M10X30	1
36	GB/T6175-M10	Nut	M10	2
37	D330A-11237	Drawspring		1
38	D330A-11236	Pin		1
39	GB/T70-M6X40	Hex Socket Cap Screw	M6X40	1
40	D330A-11242	Shaft		1
41	D330B-14215	Shaft		1
42	GB/T879-5X28	Pin	5X28	2
44	GB/T879-5X40	Pin	5X40	1
45	D330A-11235	Rocker		1
46	GB/T78-M6X12	Screw	M6X12	1
47		Cover		1
48		Switch	YBLXW-5/11N1	1
49	GB/T818-M4X40	Screw	M4X40	2
50	D330DV-11210	Brake dollop		1
51	D330B-14216	Shaft		1
52	D330A-14212-1	Brake pedal		1
53	D330D-14213B	Funnel		1
54		Screw Lose		2
55	D330B-14401	Water tank		1
56	D330A-92203	Connecting		1
57		Pump		1
58	D330A-14211A	Cover		1
59	D330DV-11211	Washer		1



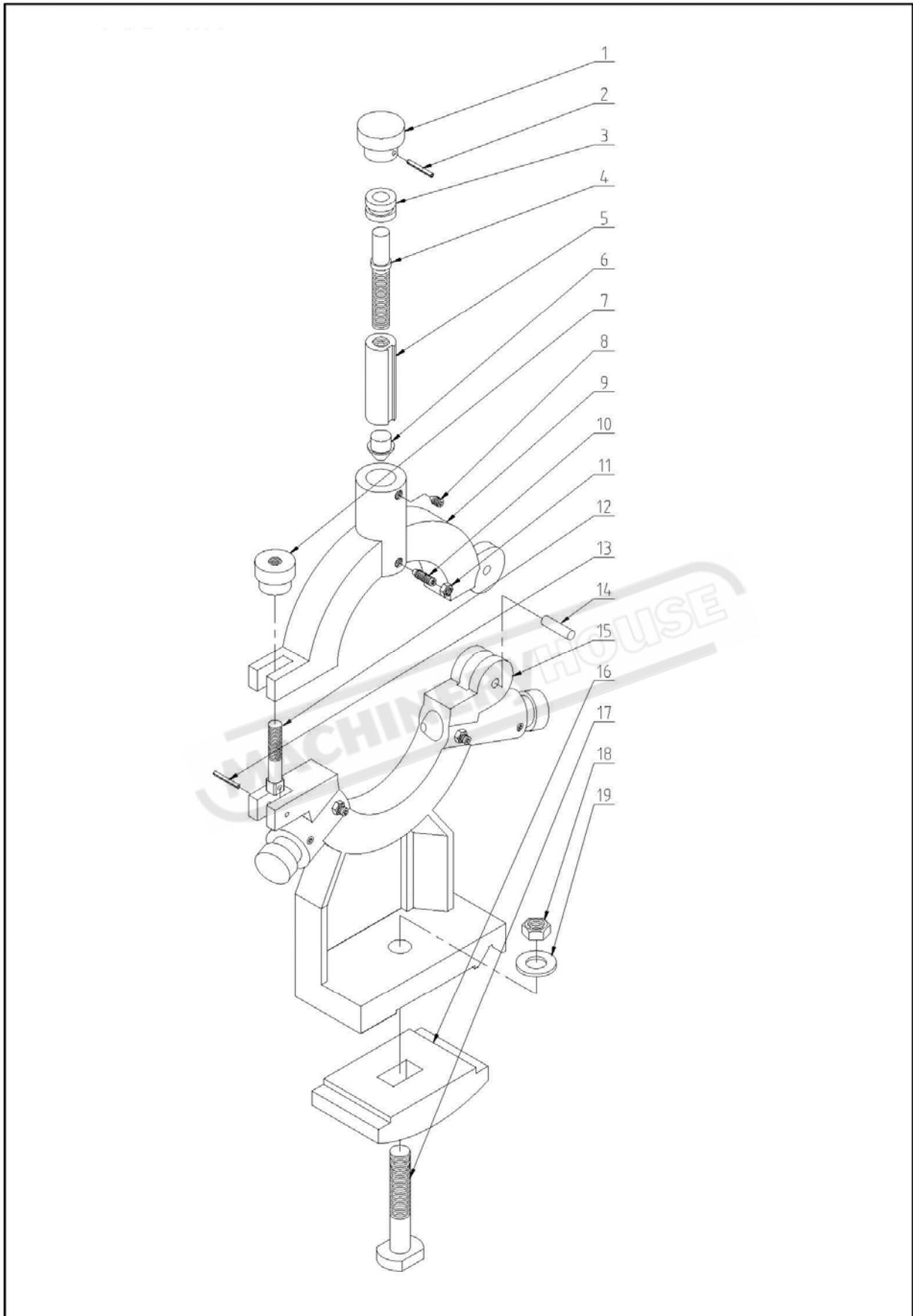
ELECTRIC ASSEMBLY-1

Index No	Part No	Description	Size	Qty
1		Protective circuit breaker	DZ47-63C3 1P	3
2		Protective circuit breaker	DZ47-63C16 2P	1
3		Transformer	JBK5-100VA-TH	1
4	GB/T818-M4X6	Screw	M4X6	24
5		Fixing Rail Clip		1
6		Rubber Cushing		4
7	D330AV-14102	Cover		1
8	GB97.1-4	Washer	4	6
9	GB/T70- M4×10	Hex Socket Cap Screw	M4×10	6
10	GB6170- M5	Nut	M5	4
11	D330A-71401	Sheet Copper		1
12	GB818-M4X12	Screw	M4X12	5
13		Earth Sign Plate		1
14		Locker Connecting	M16X1.5	7
15	D330B-14103	Base		1
16		Locker Connecting	M20X1.5	3
17		Junction Box		1
18		Fixing Rail Clip		1
19		Adjustable resistor		1
20		Intermediate relay	JZC4-40-24V	1
21		Contact Relay	HH54P	3
22		Source	5V	1
23	GB/T70- M5X12	Hex Socket Cap Screw	M5X12	4
24		Fixing Rail Clip		1
25	D330AV-14101	Electric Box		1
26		Power Switch	LW26-20	1
27		Knob	LA125H-BE102C	1
28		Fast-Stop Knob	LA125H-BE101C	1
29		Button switch	LAY3-11/2	1
30		Power Light	AD62-22D/S	1
31	GB6170- M4	Nut	M4	3
32		Plate		1
33		DRC for the spindle speed		1
34	D330DV-21255	Angle iron		1
35		Probe		1
36	D330B-14220A	CoVer		1
37		Hazard warning lamp	LAY7-24V	1
38		Plate		1



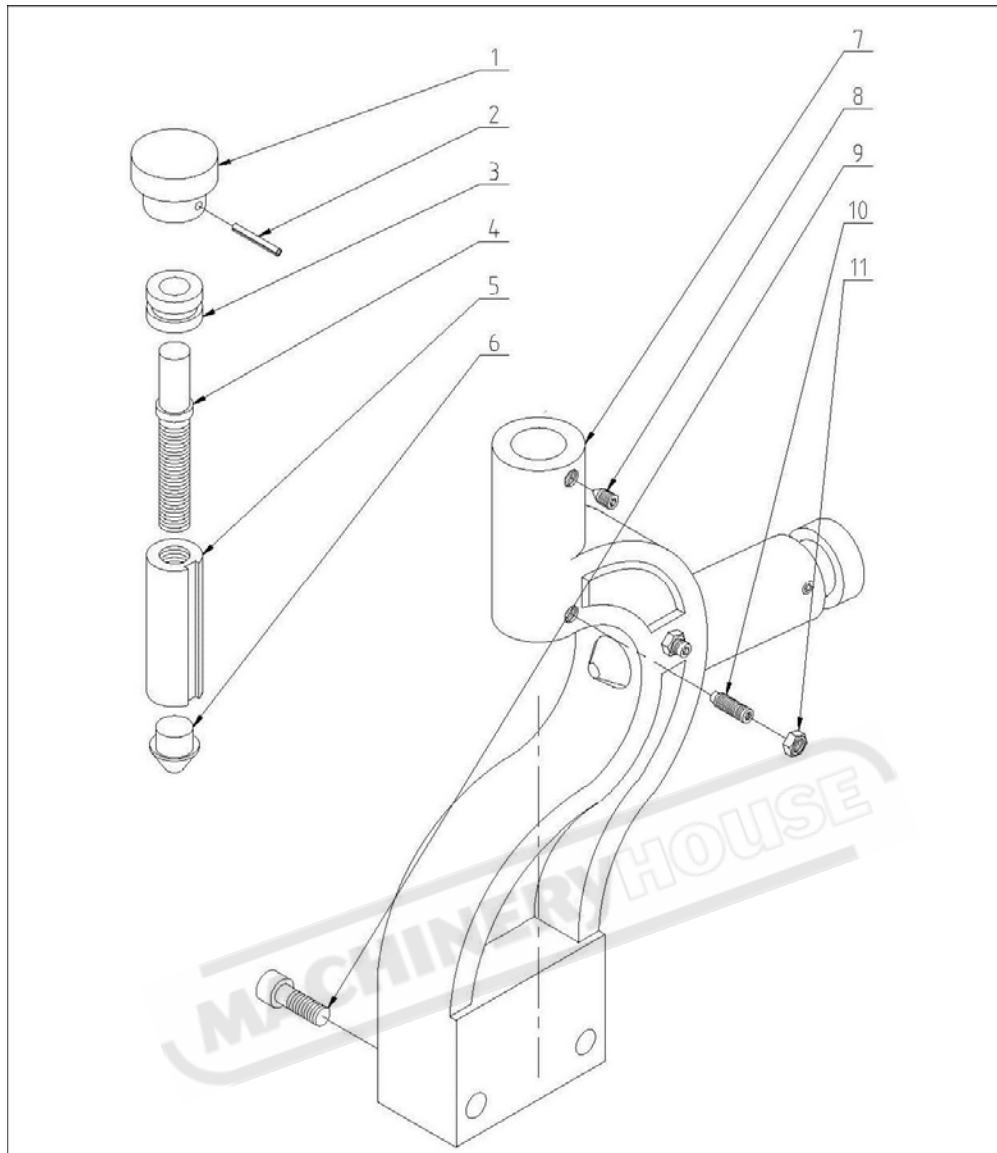
Index No	Part No	Description	Size	Qty
1	D330AV-14301	Electric Box		1
2	D330AV-14303	Base		1
3	GB/T70- M6X10	Hex Socket Cap Screw	M6×10	4
4		Inverter		1
5	D330AV-14302	Cover		1
6	GB/T818-M6X10	Screw	M6×10	10
7		Junction box	20 Seat	1
8	GB818-M4X6	Screw	M4X6	4
10	GB818-M4X12	Screw	M4X12	2
11		Braking resistor		1
12		Locker connecting	M20x1.5	4

STEADY REST

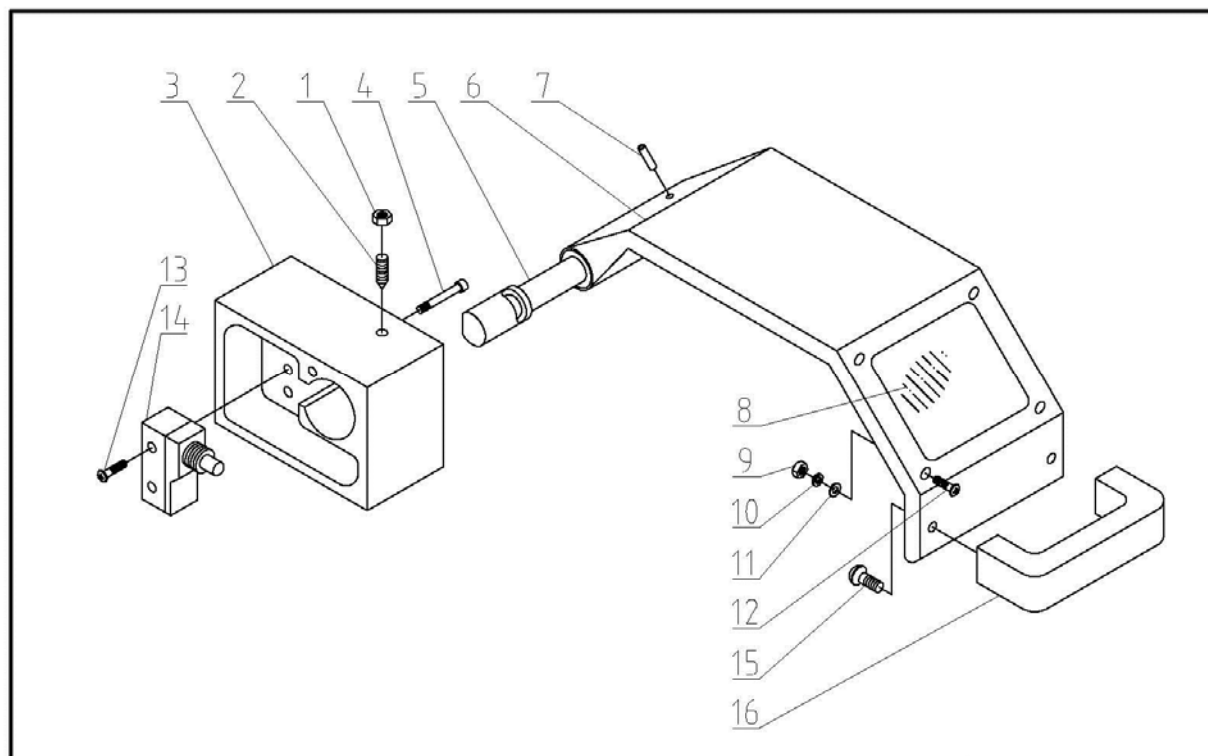


STEADY REST

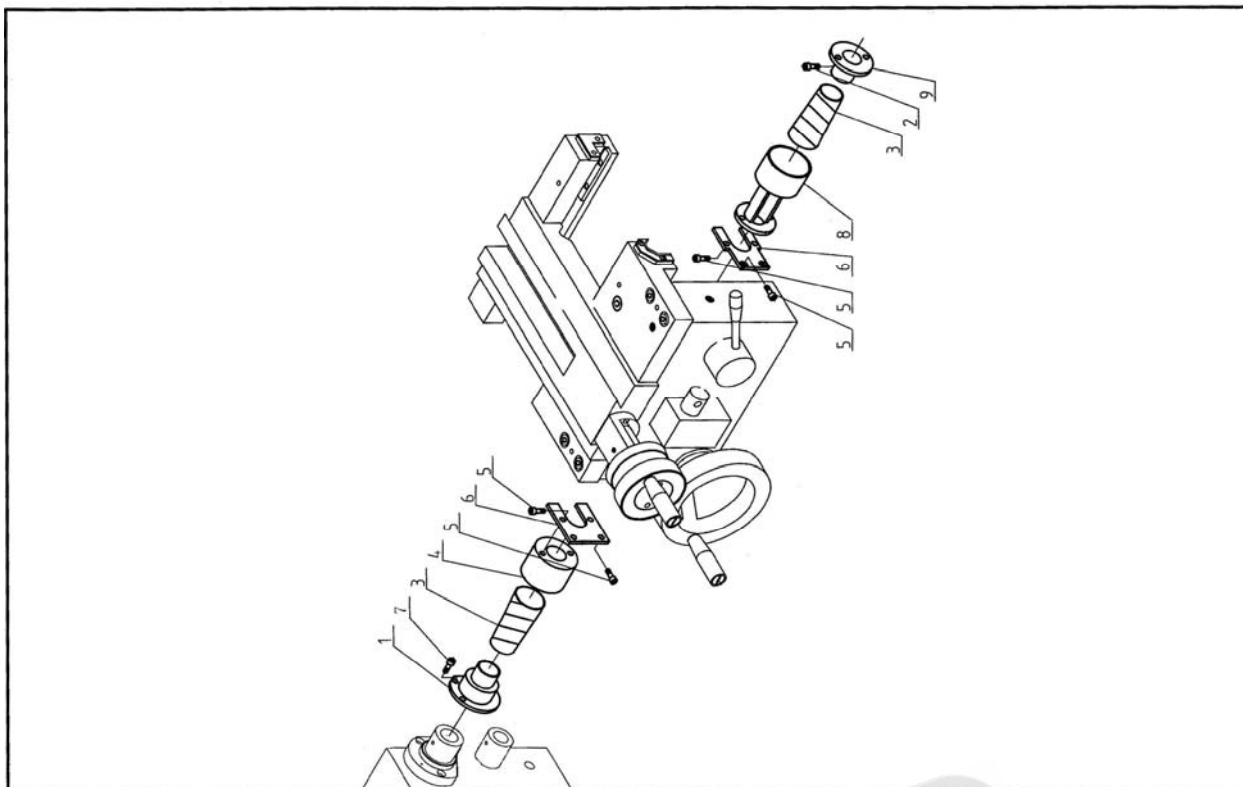
Index No	Part No	Description	Size	Qty
1	D330A-8205	Knob		3
2	GB/T879-3X20	Pin	M6X8	3
3	D330A-8207	Collar		3
4	D330A-8206	Pressing Lever		3
5	D330A-8208	Pressing Collar		3
6	D330A-8209	Pressing Base		3
7	D330A-8204	Locking screw nut		1
8	GB/T78-M6X10	Screw	M6X10	3
9	D330A-8202	Upper Body		1
10	GB/T79-M6×16	Screw	M6×16	3
11	GB/T6170-M6	Nut	M6	3
12	D330A-8203	Locking lever		1
13	GB/T879-4×20	Pin	4×20	1
14	GB/T119-6X20	Pin	6X20	
15	D330A-8201	Base Body		1
16	D330A-8210	Pressing Plate		1
17	D330A-8211	"T"Screw		1
18	GB/T6170-M12	Nut	M12	1
19	GB/T97.1-12	Washer	12	1

FOLLOW REST

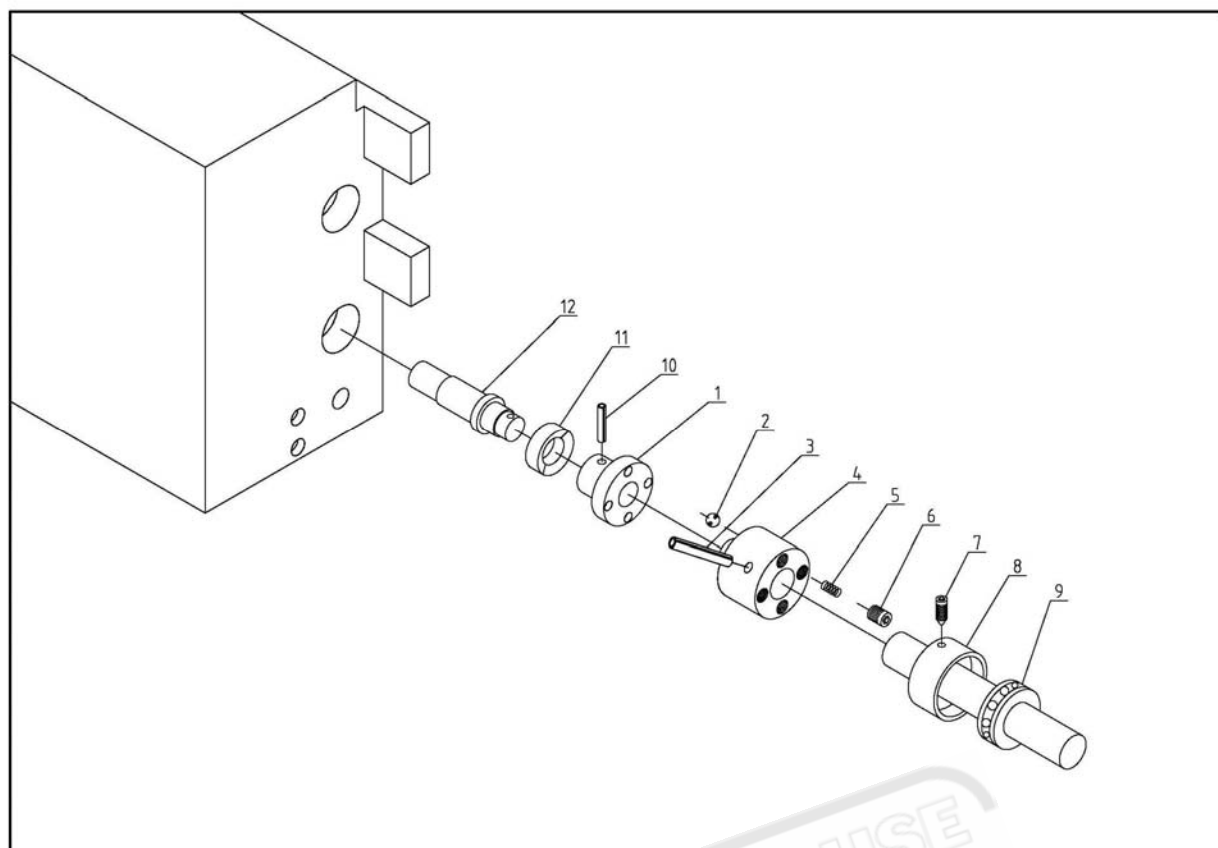
Index No	Part No	Description	Size	Qty
1	D330A-8205	Knob		2
2	GB/T879-3X20	Pin	3X20	2
3	D330A-8207	Collar		2
4	D330A-8304	Pressing Lever		2
5	D330A-8303	Pressing Collar		2
6	D330A-8209	Pressing Base		2
7	D330A-8301	Body		1
8	GB/T78-M6X10	Screw	M6X10	2
9	GB/T70-M8×40	Hex Socket Cap Screw	M8×40	2
10	GB/T79-M6×16	Screw	M6×16	2
11	GB/T6170-M6	Nut	M6	2

CHUCK SAFTY GUARD (Optional)

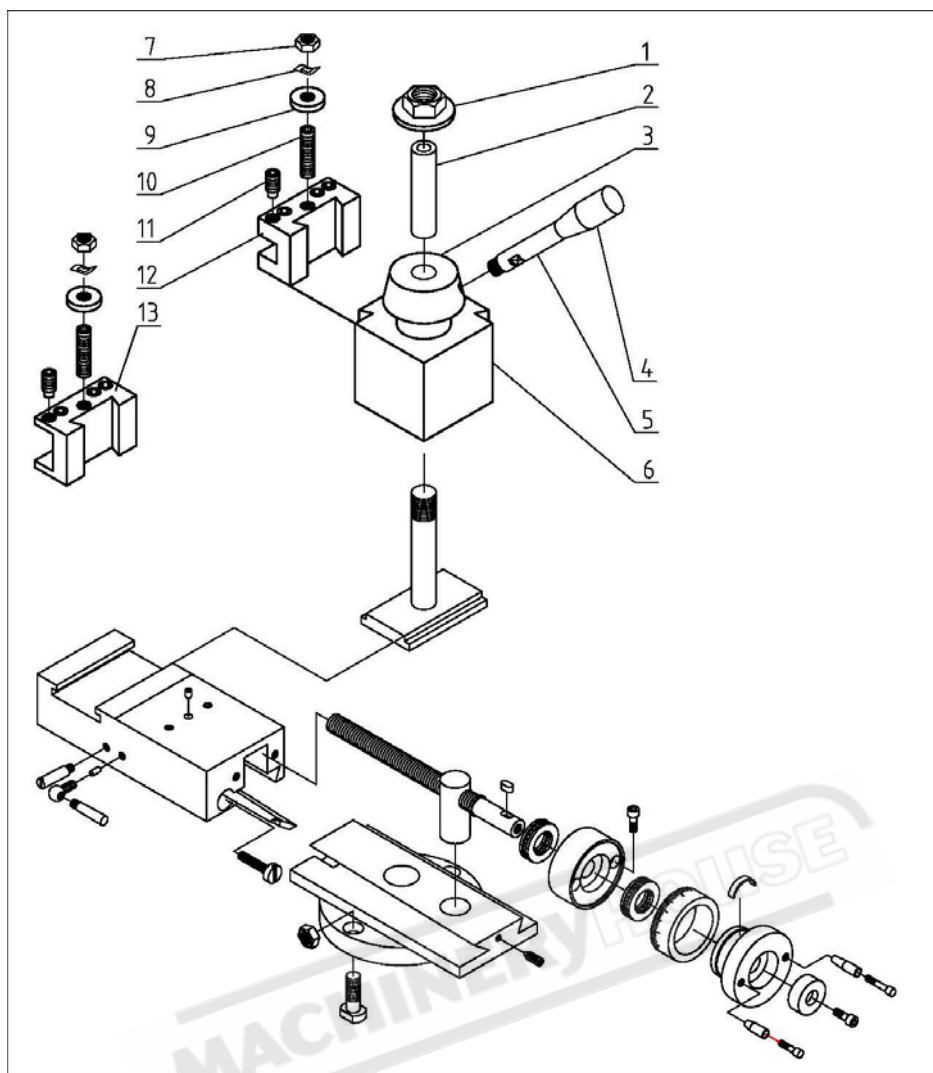
Index No	Part No	Description	Size	Qty
1	GB/T6170-M6	Nut	M6	1
2	GB/T79-M6 ×16	Screw	M6 ×16	1
3	D330A-71101	Switch box		1
4	GB/T70-M6× 45	Hex Socket Cap Screw	M6× 45	2
5	D330A-71203	Shaft		1
6	D330A-71204	Protecting Cover		1
7	GB/T879-4X25	Pin	4X25	1
8	D330A-71402	Cover		1
9	GB/T6175-M3	Nut	M3	4
10	GB/T93-3	Washer		4
11	GB/T97.1-3	Washer	3	4
12	GB/T818-M3X12	Screw	M3X12	4
13	GB/T818-M4X25	Screw	M4X25	2
14		Switch	LXW5-11M	1
15	GB/T818-M6X8	Screw	M6X8	2
16		Handle		1

LEADSCREW SAFTY GUARD (Optional)

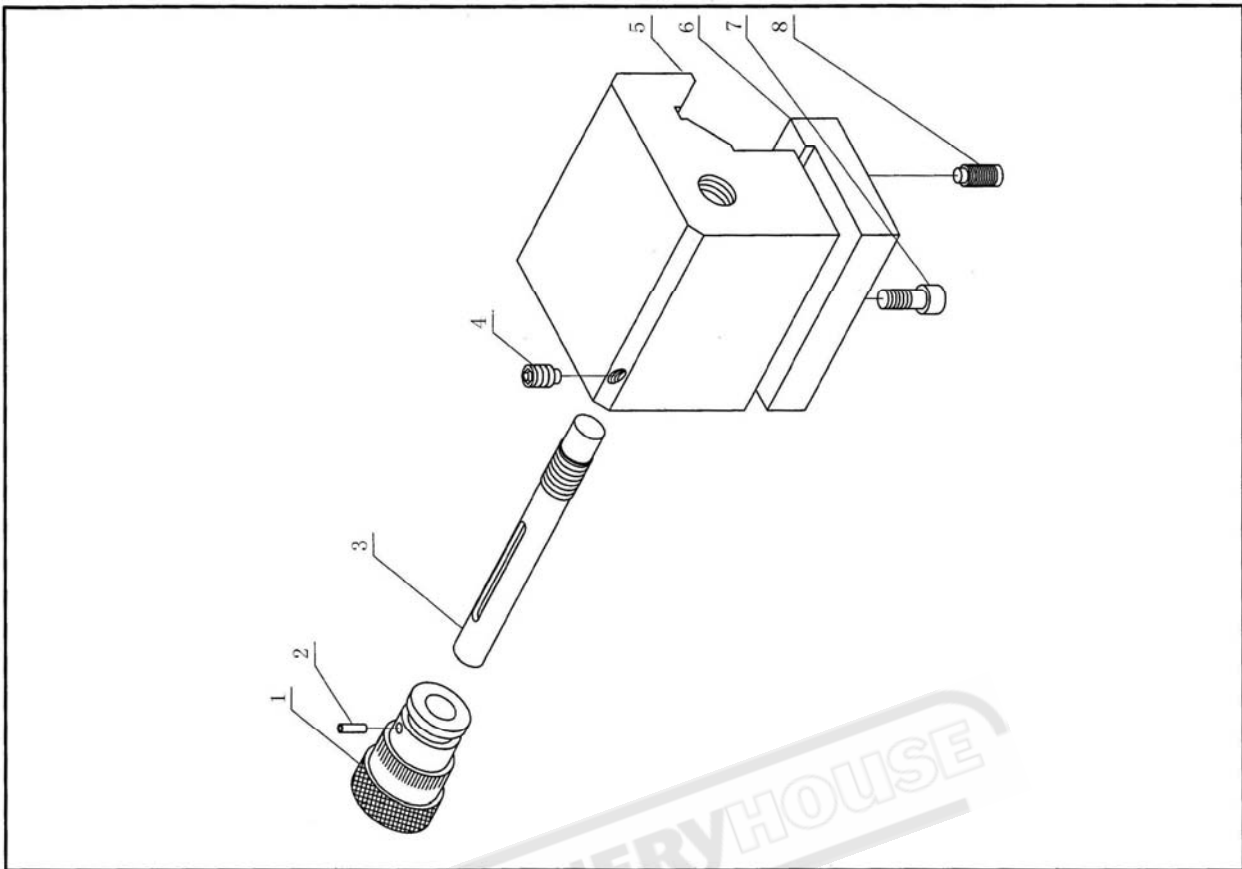
Index No	Part No	Description	Size	Qty
1	D330A-1030	Bracket		1
2	GB/T70-M5×10	Hex Socket Cap Screw	M5×10	2
3	D330A-F7001	Spring cover		2
4	D330A-1034	Left bracket		1
5	GB/T70-M6×12	Hex Socket Cap Screw	M6×12	8
6	D330A-1033	Bracket		2
7	GB/T70-M4×10	Hex Socket Cap Screw	M4×10	2
8	D330B-1029G	Bracket		1
9	D330A-1031	Bracket		1

SAFTY CLUTCH FOR FEED ROD (Optional)

Index No	Part No	Description	Size	Qty
1	D330A-3013S/01A	Clutch		1
2	GB/T308-6	Steel ball	6	4
3	GB/T879-4X42	Pin	4X42	1
4	D330A-3020D-1	Clutch		1
5	GB/T1358-6X1X25	Spring	6X1X25	4
6	GB/T77-M8X8	Screw	M8X8	4
7	GB/T78-M6X10	Screw	M6X10	1
8	D330A-CS004-1	Cover		1
9	GB/T301-51104	Bearing		1
10	GB/T879-5X25	Pin	5X25	1
11	GB/T9877.1-18X30X10	Oil seal	18X30X10	1
12	CQ6230-3013D	Shaft		1

QUICK CHANGE TOOL POST (Optional)

Index No	Part No	Description	Size	Qty
1		Flange nut	M16-2	1
2		Shaft bushing		
3		Tool post lever hub		
4		Handle		
5		Lever		
6		Body		
7		Hex nut	M10-1	2
8		Wavy wash	10mm	2
9		Flat wash	10mm	2
10		Set screw	M10-1X45	2
11		Set screw	M10-1X20	8
12		Tool holder 16mm		1
13		Tool holder 20mm		1

SADDLE POSITION LOCALIZER (Optional)

Index No	Part No	Description	Size	Qty
1	D330A-DC003	Index ring		1
2	GB/T879-3X6	Pin	3X6	1
3	D330A-DC004	Shaft		1
4	GB/T79-M6X10	Screw	M6X10	1
5	D330A-DC001	Casting body		1
6	D330A-DC002	Plate		1
7	GB/T70-M6X10	Hex Socket Cap Screw	M6X10	2
8	GB/T79-M5X12	Screw	M5X12	2